

19" DYNAmax Free Standing Server Cabinets



19" DYNAmax

Free Standing Server Cabinets

FAMILY

W=600 mm and W=800 mm DYNAmax Series Free Standing Server Cabinets

DYNAmax Series High Quality Server Enclosures, provide a secure environment for the server and storage equipment with efficient ventilation, heavy duty construction to maximise the heavy duty requirements of server equipment, flexible door options, flat or curved mesh with either 70% airflow, for large sizes split side panels to help engineers when gaining access to equipment, flexible fan modules which allows "hot swapping" from the top cover for maintenance, 12U 600x1000 cabinet is ideal for under-desk applications or where space is limited.

Whilst the product gives maximum performance on server infrastructure requirements, in parallel provides a economic solution when compared to its quality, which is based on high quality fully automated production.

The DYNAmax 600 wide is available in 6 heights from 12U through to 47U, the 800 wide is available with 4 heights 36U, 42U, 45U and 47U. Each cabinet is supplied as standard with a 70% perforated curved mesh front door, 4 point locking and wardrobe style rear door 70% perforated steel mesh rear door, lockable lift off steel side panels, above 26U side panels are supplied as 2 part for easy handling.

The wide product height portfolio meets the majority of U requirements for server infrastructure requirements, (special specific sizes can be provided for project quantities).

DYNAmax Series has a professional aesthetic look with decorative curved perforated mesh front door with swing handle and 4 point locking an option of color of RAL 9005 Black and RAL 7035 Light Grey, with fine wrinkle soft touch paint, providing a professional appearance for the server room.

Fully stocked product portfolio, being delivered a single piece assembled product, as shipping configuration the heavy duty adjustable feet and a heavy duty castor set are included.



19" DYNAmax

Free Standing Server Cabinets

FAMILY

Construction details:

Main profile, framework, top/bottom cases:

Manufactured from multi folded automated bending technology corner closed profile system, which provides a heavy duty structure resulting high load capacity of: 1000 kgs dynamic load.

Monoblock multi folded top and bottom cases, fixed to the framework with fixing hardware, providing strength and rigidity.

The top cover has a perforated ventilation panel to allow integration of fan modules. Fan module installation is from roof the advantage of this system is, the fan unit needs maintenance or replacement there is no need to remove installed equipment.

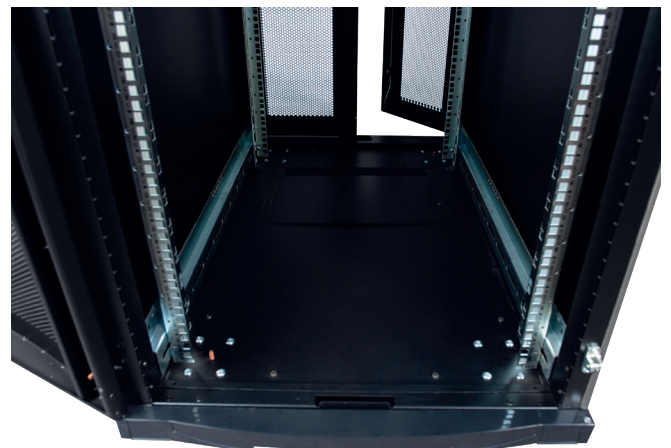
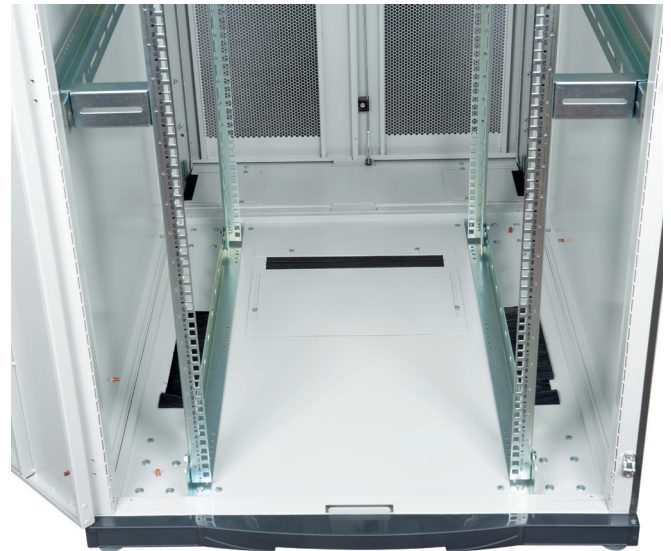
Lande Server Cabinet fan module unit access is from the roof which means no interference with installed equipment or cabling inside the cabinet. Additionally there is cable entry panel in the top cover with sliding rubber edged panel.

Bottom case integrated with wide cable entry point provides maximum versatility. The rubber edged sliding mechanism on the cable entry point at bottom with $w=350\text{ mm} \times d=250\text{ mm}$ allows large cabling infrastructure applications. Rubber edged sliding mechanism max cable entry opening is $w=350 \times d=150\text{ mm}$ after inserting the cables, the rubber edged mechanism holds the cables in parallel protecting the cabinet from dust entry.

The Lande DYNAmax W:800 mm wide cabinet bottom case, there is two additional 60x300 mm 2 pcs brushed cable entry points at sides which provides much needed cable entry space for 800 mm wide server cabinets.

Top cover integrated with wide cable entry point provides maximum versatility. The rubber edged sliding mechanism on the cable entry point at bottom with $w=175\text{ mm} \times d=250\text{ mm}$ allows large cabling infrastructure applications. On rubber edged sliding mechanism max cable entry opening is $w=175 \times d=150\text{ mm}$. After inserting the cables, the rubber edged mechanism holds and fixes the cables in parallel protecting the cabinet from dust entry.

The DYNAmax W800 mm wide cabinet top cover, there is two 60x300 mm brushed cable entry points, one each side.



19" DYNAmax

Free Standing Server Cabinets

FAMILY

Construction details:

Access to enclosure: front door monoblock 70% perforated curved mesh door with four point locking swing handled lock, options of RAL 7035 Light Grey or RAL 9005 Black Colors.

Front door opening direction is set right to left, but option to switch to left to right on site with easily switchable hinge system. The hinge system is quick release operating version, which allows you to remove the whole front door from cabinet in seconds. Alternative doors steel, glass are available for customer selection. Please see door options at the end of each product size.

**12U 600x1000 mm under-desk usage mini server cabinet has single curved 70% perforated metal front door with single point handled locking system.

Side panels are lockable and removable with barrel style lock, multi-folded bending technology with 8 fold bending provides the strength and rigidity. Easy mechanical locking of panel to main frame with snap capture system allows easy attachment of panels and easy removal in seconds while installation in process.

The 12U, 26U and 36U side panels are single piece due to its size; 42U, 45U and 47U side panels are 2 parts split horizontally for easy handling during removal or installation process.

Rear doors are in standard 70% perforated split rear door, with handled locking 3 point locking system.

**12U 600x1000 mm under-desk usage mini server cabinet has single flat 70% perforated metal rear door with single point handled locking system.

Multi-folded bending technology with 8 fold bending provides the rigidity in rear doors.

Door options, there are various designs. Please see rear door options at the end of each product size.

All design features provide 4 way access to your enclosure and equipment, easy access to enclosure and equipment for infrastructure installations and maintenance needs.



19" DYNAmax

Free Standing Server Cabinets

FAMILY

Construction details:

19" rails of Lande DYNAmax Series Free Standing Server Cabinets has automated silk-screen U numbering, from top to bottom or bottom to top to save time when installing equipment 19" rails are 4 fold bending for strength 2,0 mm thickness provides the high load capacities. The 19" rails are made of steel with 8-12 micron zinc plating for corrosion resistance. 19" rails are adjustable in depth for easy adjustment just ease the screws and slide them in the channels on the top/bottom chassis depth bends.

Cabinet structure, side horizontal depth support bars add to the strenght of the cabinet they are 2,0 mm thickness material with 8-12 micron zinc plating, the 12U and 26U 600x1000 has 2 left - 2 right Z side depth support bars. 36U 600x1000/1200 has 3 left- 3 right Z side depth support bars, 42U,45U and 47U 600x1000/1200 has 4 left - 4 right Z side depth support bars.

W800 mm segment 36U, 42U, 45U and 47U 800x1000 and W800 mm segment 42U, 45U and 47U, 800x1200 has 4 left, 4 right side depth support bars L and Z shaped.



19" DYNAmax

Free Standing Server Cabinets

FAMILY

Additional features:

DYNAmax Series Free Standing Server Cabinets has a replaceable decorative header trim, standard colours, Anthracite Grey and Black, for projects or ongoing business there is potential to have your corporate or company logo.



DYNAmax Series Free Standing Server Cabinets are supplied as standard with heavy duty castors and 4 pcs set of heavy-duty levelling feet 75 mm height metal housing rubber feet.



19" DYNAmax

Free Standing Server Cabinets

FAMILY

DYNAmax Series Server Cabinets, with 19" w:800 mm physical sizes with max cable housing possibility and wide selection of depth and height.

All W=800mm model cabinets are constructionally proper for the vertical cable management systems.

The Lande 800 wide segment designed with highly efficient and customer friendly vertical cable management channel.



Solid Metal Vertical
Cable Management
Trunking with Snap
Door with Lids



High Density Vertical
Cable Management
Trunking with Cable
Management Fingers
with Aluminum
Horizontally Split
Snap Door with Lids



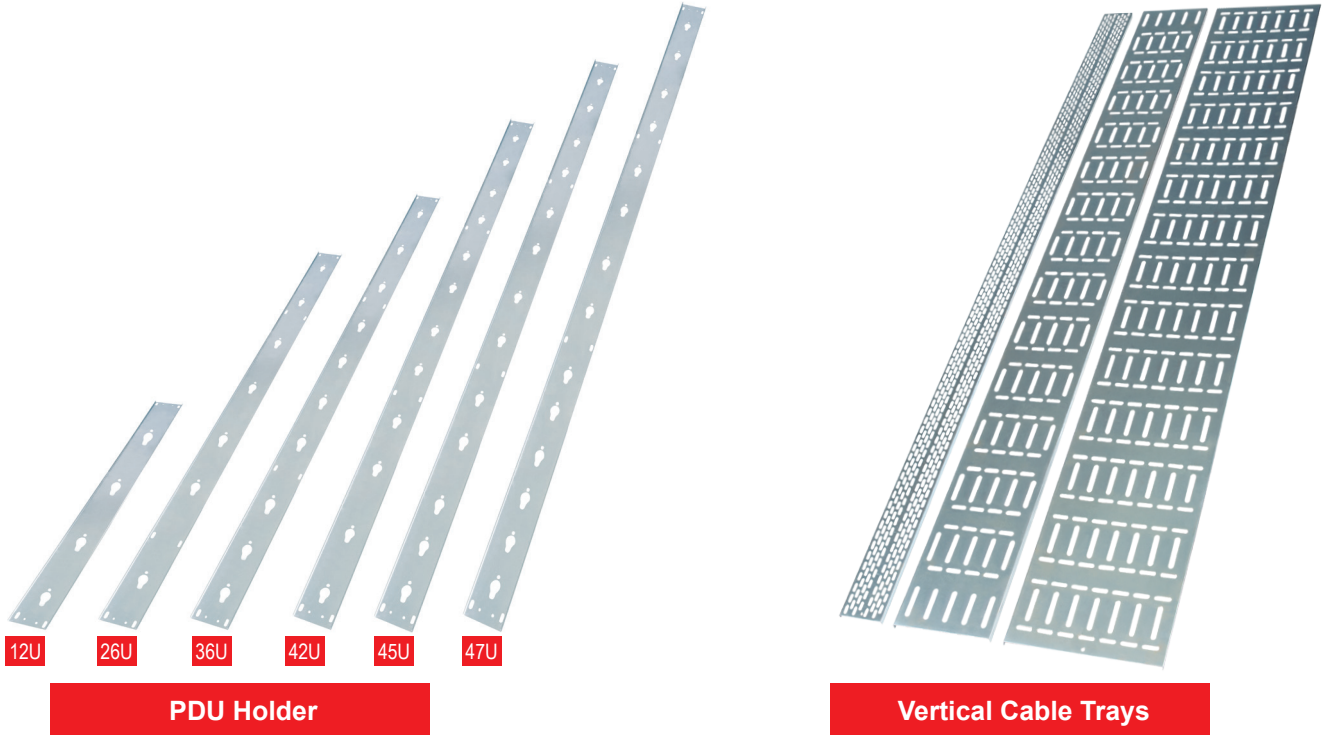
19" DYNAmax

Free Standing Server Cabinets

FAMILY

Vertical PDU holders: with pear shape and multi holes allows all vertical PDUs to match. Depth: 1000 mm DYNAmax cabinets are proper for W100 mm vertical PDU holder and depth: 1200 mm DYNAmax cabinets are proper for W190 mm vertical PDU holder.

Additional vertical cable tray W:100 mm can be housed at back side where the main cable bundless run through. Extensibility feature of cable trays by using 2 pcs for 200 mm wide, 3 pcs for 300 mm wide cable tray system could be managed.



PDU Holder - Vertical Cable Trays							
Product Number	Product Model	Product Description	Dimensions WxDxH mm	19" DYNAmax Free Standing Server Cabinets Comptible With			
				600x1000 mm	600x1200 mm	800x1000 mm	800x1200 mm
LN-PDU-HLR-12U-ZN	Steel-Galvanized Vertical PDU Holder	12U PDU Holder Zinc Plated W=100mm	90x10x526	✓	✓	✓	✓
LN-PDU-HLR-26U-ZN		26U PDU Holder Zinc Plated W=100mm	90x10x1148	✓	✓	✓	✓
LN-PDU-HLR-36U-ZN		36U PDU Holder Zinc Plated W=100mm	90x10x1593	✓	✓	✓	✓
LN-PDU-HLR-42U-ZN		42U PDU Holder Zinc Plated W=100mm	90x10x1860	✓	✓	✓	✓
LN-PDU-HLR-45U-ZN		45U PDU Holder Zinc Plated W=100mm	90x10x1993	✓	✓	✓	✓
LN-PDU-HLR-47U-ZN		47U PDU Holder Zinc Plated W=100mm	90x10x2082	✓	✓	✓	✓
LN-KDG-CMT-12UK-ZN	Steel-Galvanized Vertical Cable Manager	12U Cable Tray Zinc Plated W=100mm	100x10x552	✓	✓	✓	✓
LN-KDG-CMT-26UK-ZN		26U Cable Tray Zinc Plated W=100mm	100x10x1175	✓	✓	✓	✓
LN-KDG-CMT-36UK-ZN		36U Cable Tray Zinc Plated W=100mm	100x10x1620	✓	✓	✓	✓
LN-KDG-CMT-42UK-ZN		42U Cable Tray Zinc Plated W=100mm	100x10x1885	✓	✓	✓	✓
LN-KDG-CMT-45UK-ZN		45U Cable Tray Zinc Plated W=100mm	100x10x2020	✓	✓	✓	✓
LN-KDG-CMT-47UK-ZN		47U Cable Tray Zinc Plated W=100mm	100x10x2109	✓	✓	✓	✓
LN-KDG-CMT-12UK-ZN-200	Steel-Galvanized Vertical Cable Tray Multi Slotted	12U Cable Tray Zinc Plated W=200mm Multi Slotted version	200x10x552	✓	✓	✓	✓
LN-KDG-CMT-26UK-ZN-200		26U Cable Tray Zinc Plated W=200mm Multi Slotted version	200x10x1175	✓	✓	✓	✓
LN-KDG-CMT-36UK-ZN-200		36U Cable Tray Zinc Plated W=200mm Multi Slotted version	200x10x1620	✓	✓	✓	✓
LN-KDG-CMT-42UK-ZN-200		42U Cable Tray Zinc Plated W=200mm Multi Slotted version	200x10x1885	✓	✓	✓	✓
LN-KDG-CMT-45UK-ZN-200		45U Cable Tray Zinc Plated W=200mm Multi Slotted version	200x10x2020	✓	✓	✓	✓
LN-KDG-CMT-47UK-ZN-200		47U Cable Tray Zinc Plated W=200mm Multi Slotted version	200x10x2109	✓	✓	✓	✓
LN-KDG-CMT-12UK-ZN-300	Steel-Galvanized Vertical Cable Tray Multi Slotted	12U Cable Tray Zinc Plated W=300mm Multi Slotted version	300x10x552	✓	✓	✓	✓
LN-KDG-CMT-26UK-ZN-300		26U Cable Tray Zinc Plated W=300mm Multi Slotted version	300x10x1175	✓	✓	✓	✓
LN-KDG-CMT-36UK-ZN-300		36U Cable Tray Zinc Plated W=300mm Multi Slotted version	300x10x1620	✓	✓	✓	✓
LN-KDG-CMT-42UK-ZN-300		42U Cable Tray Zinc Plated W=300mm Multi Slotted version	300x10x1885	✓	✓	✓	✓
LN-KDG-CMT-45UK-ZN-300		45U Cable Tray Zinc Plated W=300mm Multi Slotted version	300x10x2020	✓	✓	✓	✓
LN-KDG-CMT-47UK-ZN-300		47U Cable Tray Zinc Plated W=300mm Multi Slotted version	300x10x2109	✓	✓	✓	✓

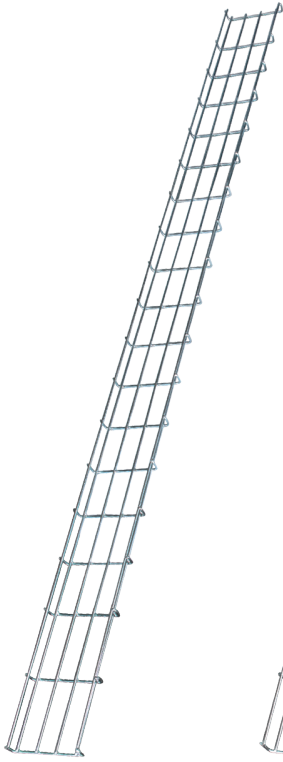
** ZN= part numbered products has no paint application, ZN means ZINC COATING, therefore no color selection needed.

19" DYNAmax

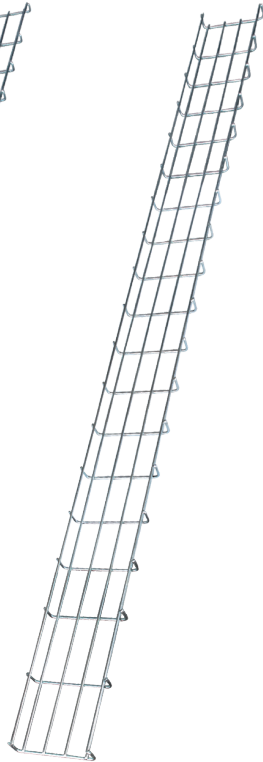
Free Standing Server Cabinets

FAMILY

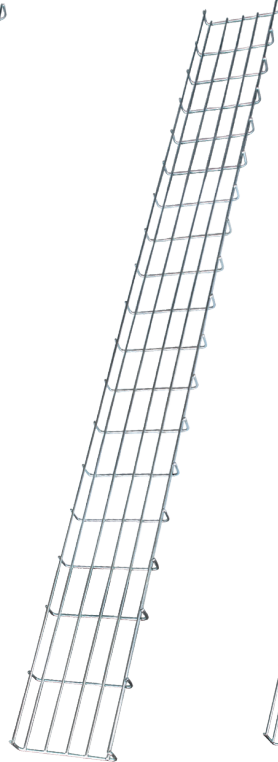
Moreover there are W200 mm and W300 mm multislotted versions are available. Additionally there are wire mesh trays W150 mm, W200 mm, W300 mm and W400 mm for your selection and preparing a very lean cable management inside cabinets.



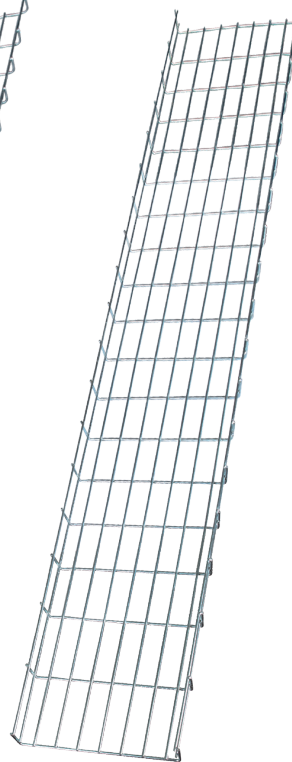
LN-KDG-CMT-45UK-WM-1525



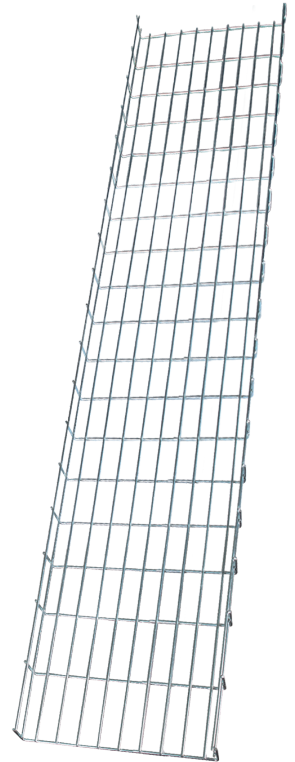
LN-KDG-CMT-45UK-WM-1535



LN-KDG-CMT-45UK-WM-2025



LN-KDG-CMT-45UK-WM-3050



LN-KDG-CMT-45UK-WM-4050

Wire Mesh Cable Trays

Product Number	Product Model	Product Description	Dimensions WxDxH mm	19" DYNAmax Free Standing Server Cabinets Comptible With			
				600x1000 mm	600x1200 mm	800x1000 mm	800x1200 mm
LN-KDG-CMT-12UK-WM-1525	Steel-Galvanized Vertical Wire Mesh Cable Tray W150 x D25 mm	12U Cable Tray Zinc Plated W=150mm D:25mm Wire Mesh Basket Tray	150x25x552	✓	✓	✓	✓
LN-KDG-CMT-26UK-WM-1525		26U Cable Tray Zinc Plated W=150mm D:25mm Wire Mesh Basket Tray	150x25x1175	✓	✓	✓	✓
LN-KDG-CMT-36UK-WM-1525		36U Cable Tray Zinc Plated W=150mm D:25mm Wire Mesh Basket Tray	150x25x1620	✓	✓	✓	✓
LN-KDG-CMT-42UK-WM-1525		42U Cable Tray Zinc Plated W=150mm D:25mm Wire Mesh Basket Tray	150x25x1885	✓	✓	✓	✓
LN-KDG-CMT-45UK-WM-1525		45U Cable Tray Zinc Plated W=150mm D:25mm Wire Mesh Basket Tray	150x25x2020	✓	✓	✓	✓
LN-KDG-CMT-47UK-WM-1525		47U Cable Tray Zinc Plated W=150mm D:25mm Wire Mesh Basket Tray	150x25x2259	✓	✓	✓	✓
LN-KDG-CMT-12UK-WM-1535		Steel-Galvanized Vertical Wire Mesh Cable Tray W150 x D35 mm	12U Cable Tray Zinc Plated W=150mm D:35mm Wire Mesh Basket Tray	150x35x552	-	-	✓
LN-KDG-CMT-26UK-WM-1535	26U Cable Tray Zinc Plated W=150mm D:35mm Wire Mesh Basket Tray		150x35x1175	-	-	✓	✓
LN-KDG-CMT-36UK-WM-1535	36U Cable Tray Zinc Plated W=150mm D:35mm Wire Mesh Basket Tray		150x35x1620	-	-	✓	✓
LN-KDG-CMT-42UK-WM-1535	42U Cable Tray Zinc Plated W=150mm D:35mm Wire Mesh Basket Tray		150x35x1885	-	-	✓	✓
LN-KDG-CMT-45UK-WM-1535	45U Cable Tray Zinc Plated W=150mm D:35mm Wire Mesh Basket Tray		150x35x2020	-	-	✓	✓
LN-KDG-CMT-47UK-WM-1535	47U Cable Tray Zinc Plated W=150mm D:35mm Wire Mesh Basket Tray		150x35x2259	-	-	✓	✓
LN-KDG-CMT-12UK-WM-2025	Steel-Galvanized Vertical Wire Mesh Cable Tray W200 x D25 mm		12U Cable Tray Zinc Plated W=200mm D:25mm Wire Mesh Basket Tray	200x25x552	✓	✓	✓
LN-KDG-CMT-26UK-WM-2025		26U Cable Tray Zinc Plated W=200mm D:25mm Wire Mesh Basket Tray	200x25x1175	✓	✓	✓	✓
LN-KDG-CMT-36UK-WM-2025		36U Cable Tray Zinc Plated W=200mm D:25mm Wire Mesh Basket Tray	200x25x1620	✓	✓	✓	✓
LN-KDG-CMT-42UK-WM-2025		42U Cable Tray Zinc Plated W=200mm D:25mm Wire Mesh Basket Tray	200x25x1885	✓	✓	✓	✓
LN-KDG-CMT-45UK-WM-2025		45U Cable Tray Zinc Plated W=200mm D:25mm Wire Mesh Basket Tray	200x25x2020	✓	✓	✓	✓
LN-KDG-CMT-47UK-WM-2025		47U Cable Tray Zinc Plated W=200mm D:25mm Wire Mesh Basket Tray	200x25x2259	✓	✓	✓	✓
LN-KDG-CMT-42UK-WM-3050		Steel-Galvanized Vertical Wire Mesh Cable Tray W300 x D50 mm	42U Cable Tray Zinc Plated W=300mm D:50mm Wire Mesh Basket Tray	300x50x1885	-	-	✓
LN-KDG-CMT-45UK-WM-3050	45U Cable Tray Zinc Plated W=300mm D:50mm Wire Mesh Basket Tray		300x50x2020	-	-	✓	✓
LN-KDG-CMT-47UK-WM-3050	47U Cable Tray Zinc Plated W=300mm D:50mm Wire Mesh Basket Tray		300x50x2259	-	-	✓	✓
LN-KDG-CMT-42UK-WM-4050	Steel-Galvanized Vertical Wire Mesh Cable Tray W400 x D50 mm	42U Cable Tray Zinc Plated W=400mm D:50mm Wire Mesh Basket Tray	400x50x1885	-	-	✓	✓
LN-KDG-CMT-45UK-WM-4050		45U Cable Tray Zinc Plated W=400mm D:50mm Wire Mesh Basket Tray	400x50x2020	-	-	✓	✓
LN-KDG-CMT-47UK-WM-4050		47U Cable Tray Zinc Plated W=400mm D:50mm Wire Mesh Basket Tray	400x50x2259	-	-	✓	✓

** WM= part numbered products has no paint application, WM means ZINC COATED WIRE MESH, therefore no color selection needed.

19" DYNAmax

Free Standing Server Cabinets

FAMILY

DYNAmax Series w:800 mm segment product range with vertical cable manager provides visually a lean and technically professional cabling work, where the main cable bundles are housed and hidden in the vertical cable manager trunks. Once needed to reach the specified cable is easier.



High Density Vertical Cable Management Trunking with Cable Management Fingers

Solid Metal Vertical Cable Management Trunking

Solid Metal Vertical Cable Management Trunking High Density Vertical Cable Management Trunking with Cable Management Fingers

Product Number	Product Model	Product Description	Dimensions WxDxH mm	19" DYNAmax Free Standing Server Cabinets Comptible With			
				600x1000 mm	600x1200 mm	800x1000 mm	800x1200 mm
LN-KDG-ORG-36EU-CC	Solid Metal Vertical Cable Management Trunking	36U Metal Cable Management panel set left/right	93x82x1598	-	-	✓	✓
LN-KDG-ORG-42EU-CC		42U Metal Cable Management panel set left/right	93x82x1865	-	-	✓	✓
LN-KDG-ORG-45EU-CC		45U Metal Cable Management panel set left/right	93x82x1998	-	-	✓	✓
LN-KDG-ORG-47EU-CC		47U Metal Cable Management panel set left/right	93x82x2087	-	-	✓	✓
LN-KDG-ORG-36HD-CC	High Density Vertical Cable Management Trunking with Cable Management Fingers	36U Aluminium Cover Cable Management panel set left/right, finger type	90x125x1603	-	-	✓	✓
LN-KDG-ORG-42HD-CC		42U Aluminium Cover Cable Management panel set left/right, finger type	90x125x1870	-	-	✓	✓
LN-KDG-ORG-45HD-CC		45U Aluminium Cover Cable Management panel set left/right, finger type	90x125x2003	-	-	✓	✓
LN-KDG-ORG-47HD-CC		47U Aluminium Cover Cable Management panel set left/right, finger type	90x125x2092	-	-	✓	✓

** CC= Color Code, LG Light Grey RAL 7035, BL Black RAL 9005, please define the color of cabinet while ordering.

19" DYNAmax

Free Standing Server Cabinets

Width: 600 mm
Depth: 1000 mm

Load Capacity: 1000 kgs.

**U Height: 12U, 26U, 36U, 42U,
45U, 47U**

Standards and Compliances:



ISO 9001
Quality Management System

EN 61587-1
Mechanical Structures for
Electronic Equipment

EN IEC 60297, 19" Mounting
EN IEC 60917 Overall Cabinet
Dimensions

EN/IEC 60529 - IP20 Ingress Protection
performance

EN/IEC 62262 - IK07 Mechanical
Impact Resistance

EIA/ ECA-310 (D/E) 19" 482,6 mm
and U 44,45 mm Height Sizing



CE conform to
EN 60950-1
Information Technology
Equipment, Safety,
Part-1: General Requirement

EN IEC 62368-1 Audio/Video, Information
and Communication Technology
Equipment
Part 1: Safety requirements



UL listed to
UL 2416, Outline of Investigation for
Audio/Video, Information and
Communication Technology Equipment
Cabinet, Enclosure and Rack
Systems; UL 60950-1 and CSA C22.2
NO. 60950-1-07, Information Technology
Equipment Safety
Part 1: General Requirements



Environment Friendly;
ISO 14001 Environmental
Management System
RoHS compliancy
%100 Recyclable Material

Standard Color:



RAL 7035 Light Grey



RAL 9005 Black



DYNAmax Series Server Enclosures, with 19" w:600 mm and d:1000 mm physical sizes, with max internal usable depth, and 6 different height, gives a wide selection chart for users.

Please see door options in page 15.

12U 600x1000 mm Under-desk Mini Server Cabinet has single curved 70% perforated mesh front door with single point handled locking and a single flat 70% perforated metal rear door with single point handled locking. Lockable side panels, as a standard feature 12U and 26U sizes has single side (not split horizontally) panels.

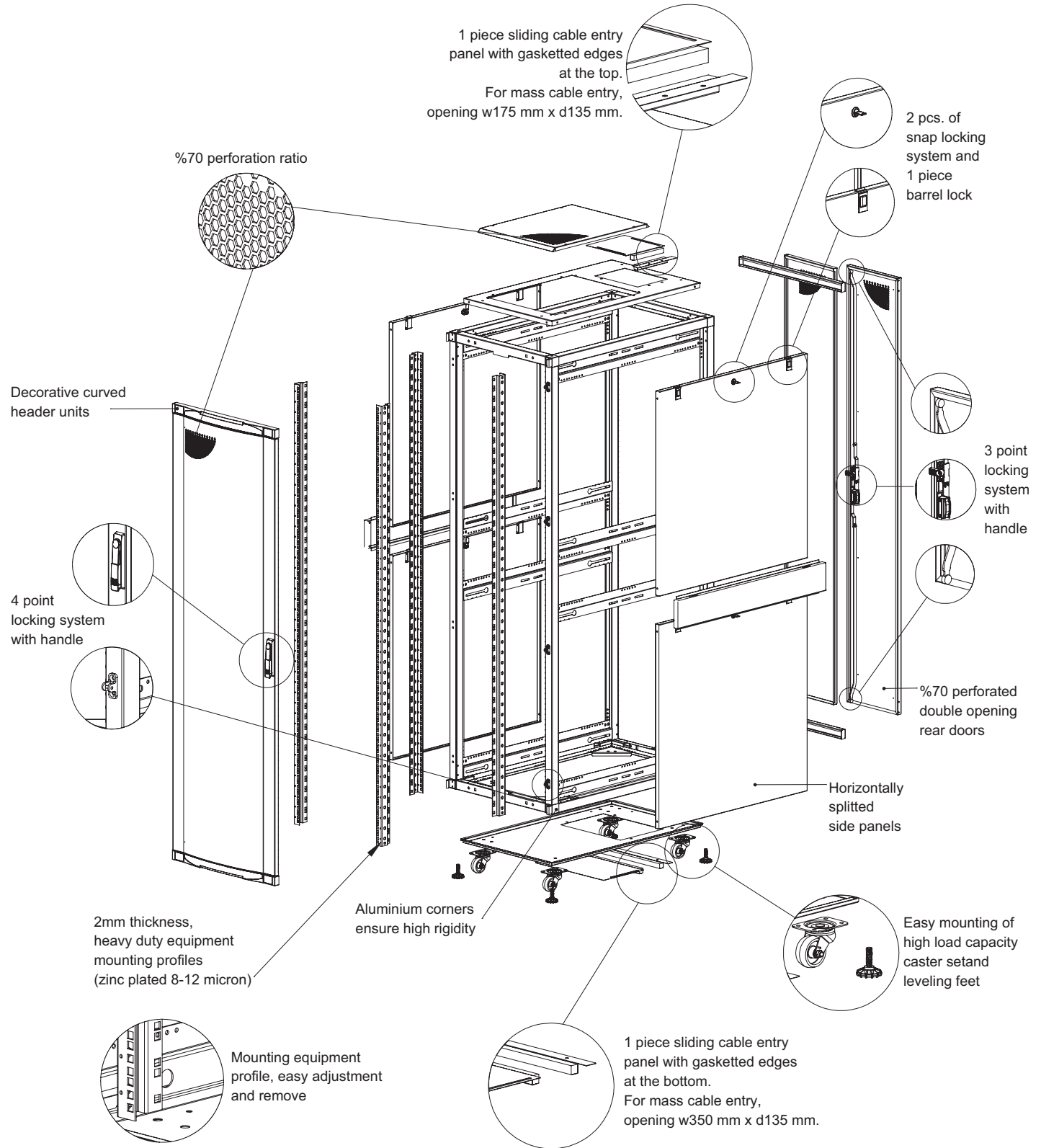
42U and above sizes has split side panels horizontally, this helps when removing sides panels for installation and maintenance.

19" DYNAmax

Free Standing Server Cabinets

Width: 600 mm
Depth: 1000 mm

Exploded View

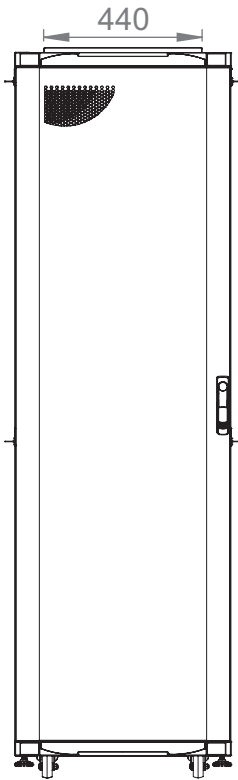


19" DYNAmax

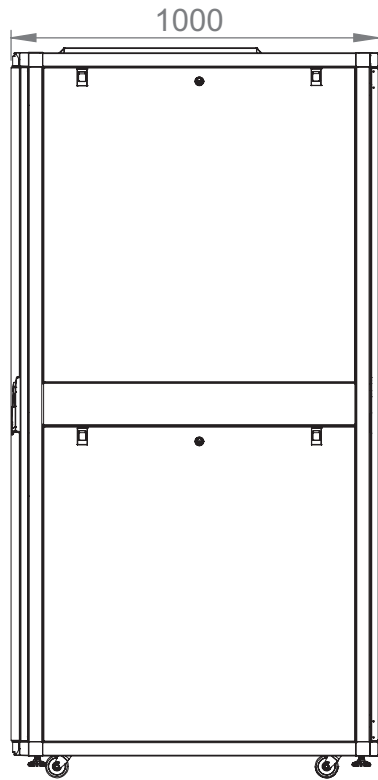
Free Standing Server Cabinets

Width: 600 mm
Depth: 1000 mm

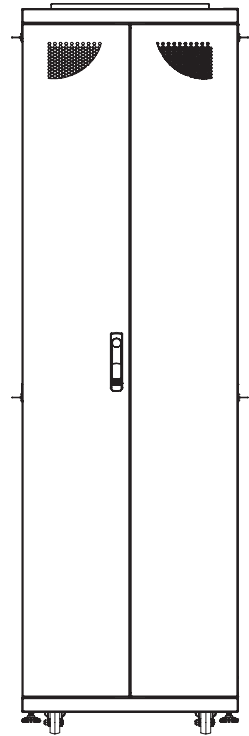
Construction Drawings



Front view



Side view



Rear view

19" DYNAmax Series Free Standing Server Cabinets W=600 mm D=1000 mm

Product Number**	Product Description	Size WxDxH mm	h Size in U	h in mm	*H mm, overall without feet and/or castor	Width Overall mm	Width Rail to Rail	Depth Overall mm	**Depth Shipping Conf. Rail to Rail mm	QTY IN PACKAGE	PACKING DIMENSIONS WxDxH mm	Standard NET Weight of Product kgs	Gross Weight of Product kgs	QTY IN PALLET	PALLET DIMENSIONS WxDxH mm	Pallet Weight kgs
LN-SR12U6010-CC-CFAA	12U 19" Free Standing Server Cabinet W=600 mm D=1000 mm	600x1000x640	12U	533	640	600	19"	1000	720	1	680x1080x850	32,4	46	2	680x1080x1700	104
LN-SR26U6010-CC-CFAA	26U 19" Free Standing Server Cabinet W=600 mm D=1000 mm	600x1000x1260	26U	1156	1260	600	19"	1000	720	1	680x1080x1400	70	84	1	680x1080x1400	96
LN-SR36U6010-CC-CFAA	36U 19" Free Standing Server Cabinet W=600 mm D=1000 mm	600x1000x1705	36U	1600	1705	600	19"	1000	720	1	680x1080x1845	97,2	111	1	680x1080x1845	123
LN-SR42U6010-CC-CFAA	42U 19" Free Standing Server Cabinet W=600 mm D=1000 mm	600x1000x1970	42U	1867	1970	600	19"	1000	720	1	680x1080x2100	114	131	1	680x1080x2100	143
LN-SR45U6010-CC-CFAA	45U 19" Free Standing Server Cabinet W=600 mm D=1000 mm	600x1000x2105	45U	2000	2105	600	19"	1000	720	1	680x1080x2245	121	138	1	680x1080x2245	150
LN-SR47U6010-CC-CFAA	47U 19" Free Standing Server Cabinet W=600 mm D=1000 mm	600x1000x2194	47U	2089	2194	600	19"	1000	720	1	680x1080x2334	127	144	1	680x1080x2334	156

* Please add 80 mm to H mm for combined caster and leveling feet for shipping configuration.

** See min and max adjustable depth variations on drawings.

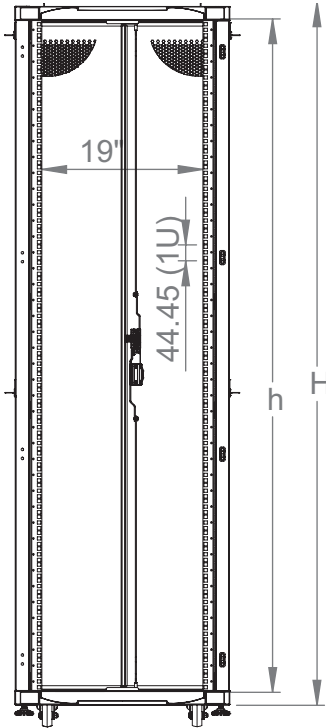
***CC= LG for Light Grey RAL 7035 & BL for Black RAL 9005 for customers to define while ordering, for "CFAA" selection please see the door options.

19" DYNAmax

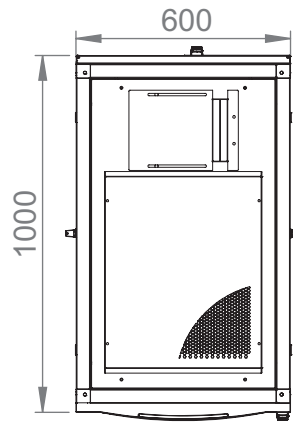
Free Standing Server Cabinets

Width: 600 mm
Depth: 1000 mm

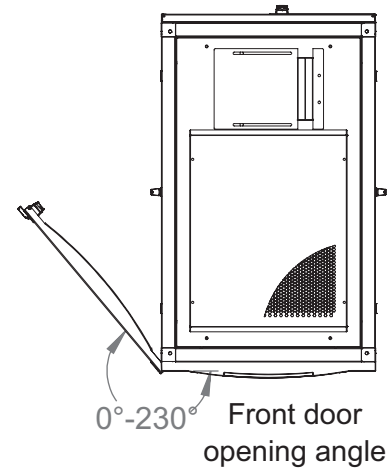
Construction Drawings



Front inside view

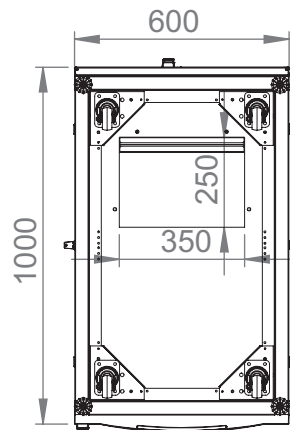


Top view

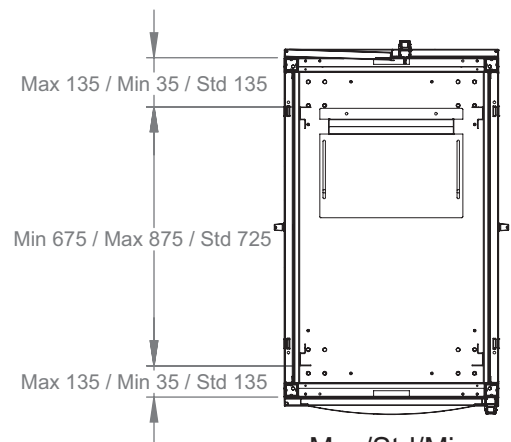


0°-230° Front door opening angle

	h	H
12U	533 mm	640 mm
26U	1156 mm	1260 mm
36U	1600 mm	1705 mm
42U	1867 mm	1970 mm
45U	2000 mm	2105 mm
47U	2089 mm	2194 mm



Bottom view



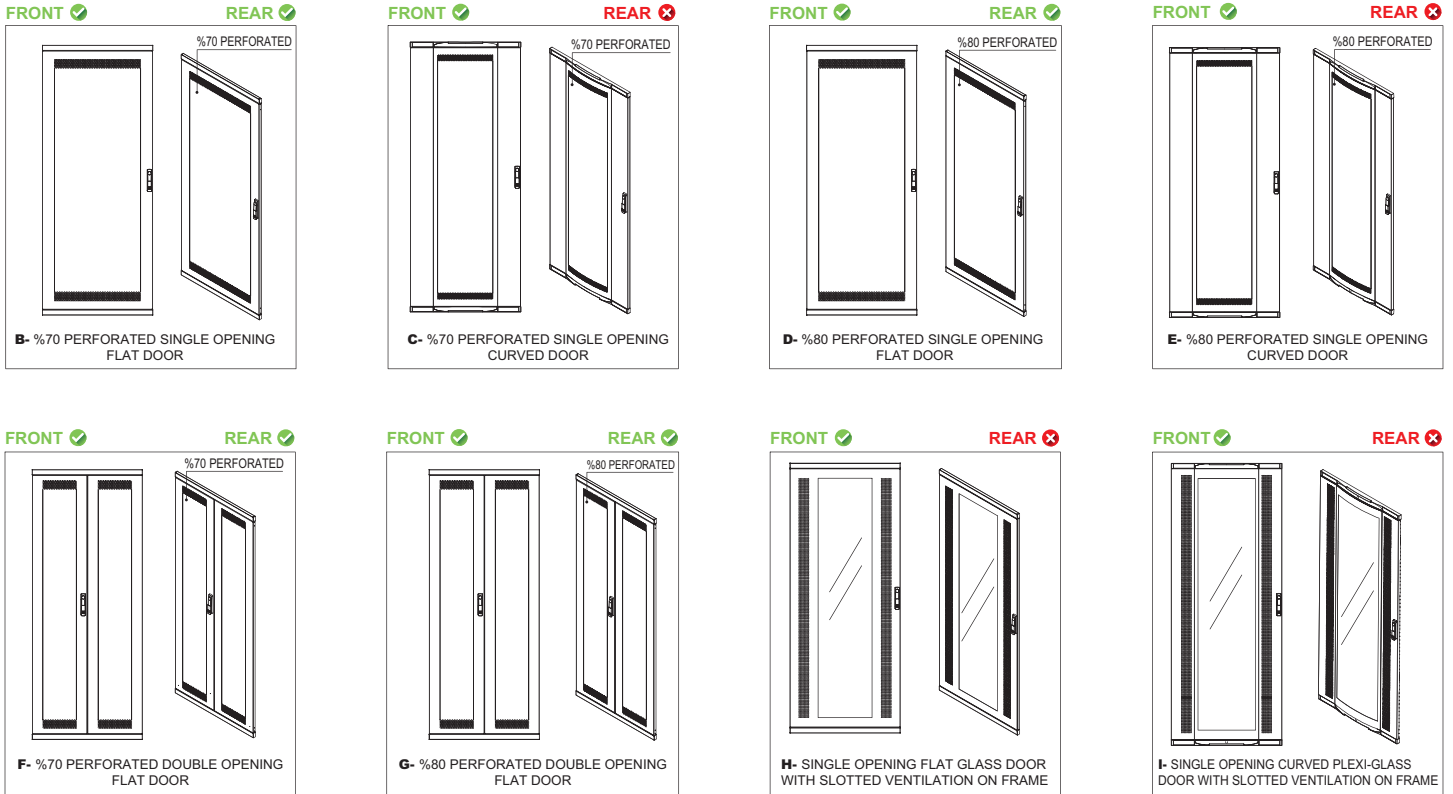
Max/Std/Min Equipment mounting distance

19" DYNAmax

Free Standing Server Cabinets

Width: 600 mm
Depth: 1000 mm

Door Options



DYNAmax Server Cabinet W=600 mm D=1000 mm All Heights FRONT DOOR Options	DYNAmax Server Cabinet W=600 mm D=1000 mm All Heights REAR DOOR Options	DYNAmax Server Cabinet W=600 mm D=1000 mm All Heights SIDE PANEL Options
<p>B %70 perforated single opening flat door</p> <p>C %70 perforated single opening curved door</p> <p>D %80 perforated single opening flat door</p> <p>E %80 perforated single opening curved door</p> <p>F %70 perforated double opening flat door</p> <p>G %80 perforated double opening flat door</p> <p>H Single opening flat glass door with slotted ventilation on frame</p> <p>I Single opening curved plexi-glass door with slotted ventilation on frame</p>	<p>B %70 perforated single opening flat door</p> <p>D %80 perforated single opening flat door</p> <p>F %70 perforated double opening flat door</p> <p>G %80 perforated double opening flat door</p>	<p>AA Both sides equipped with standard side panels</p> <p>00 No side panels on cabinet</p>
<p>*** 12U 600x1000 mm underdesk usage mini server cabinet has single curved %70 perforated metal front door with single point handled locking and single flat %70 perforated metal rear door with single point handled locking, as a standard feature.</p>		
<p>LN-AA - XXU - WW - DD - CC</p>		<p>0 0 00</p>
<p>LN: Corporate codification beginning letters mentioning Lande in Short Format as LN</p> <p>AA: Family group of enclosure; SR for server enclosure range</p> <p>XX: Numeric character defining the height of enclosures, depending on model differences between 12 to 47 to be selected from price list, website or catalogue</p> <p>U: U height alphanumeric notation, concrete (non editable- fixed character)</p> <p>WW: The first 2 digits of the width info, 60 for W=600 mm, 80 for W=800 mm</p> <p>DD: The first 2 digits of the depth info, 10 for D=1000 mm cabinets</p> <p>CC: Color code, LG for Light Grey RAL 7035, BL for Black RAL 9005</p>		<p>B-C-D-E-F-G-H-I options, unless defined C type door will be in shipping configuration.</p> <p>B-D-F-G options, unless defined F type door will be in shipping configuration.</p> <p>AA both sides equipped with standard side panels 00 no side panels on cabinet.</p>

19" DYNAmax

Free Standing Server Cabinets

Width: 600 mm
Depth: 1200 mm

Load Capacity: 1000 kgs.

U Height: 42U, 45U, 47U

Standards and Compliances:



ISO 9001
Quality Management System

EN 61587-1
Mechanical Structures for
Electronic Equipment

EN IEC 60297, 19" Mounting
EN IEC 60917 Overall Cabinet
Dimensions

EN/IEC 60529 - IP20 Ingress Protection
performance

EN/IEC 62262 - IK07 Mechanical
Impact Resistance

EIA/ ECA-310 (D/E) 19" 482,6 mm
and U 44,45 mm Height Sizing



CE conform to
EN 60950-1
Information Technology
Equipment, Safety,
Part-1: General Requirement

EN IEC 62368-1 Audio/Video, Information
and Communication Technology
Equipment
Part 1: Safety requirements



UL listed to
UL 2416, Outline of Investigation for
Audio/Video, Information and
Communication Technology Equipment
Cabinet, Enclosure and Rack
Systems; UL 60950-1 and CSA C22.2
NO. 60950-1-07, Information Technology
Equipment Safety
Part 1: General Requirements



Environment Friendly;
ISO 14001 Environmental
Management System
RoHS compliancy
%100 Recyclable Material

Standard Color:



RAL 7035 Light Grey



RAL 9005 Black



DYNAmax series server enclosures, with 19" w:600 mm and d:1200 mm physical sizes, with max internal usable depth, and 3 different height, gives a wide selection chart for users.

Please see door options in page 20.

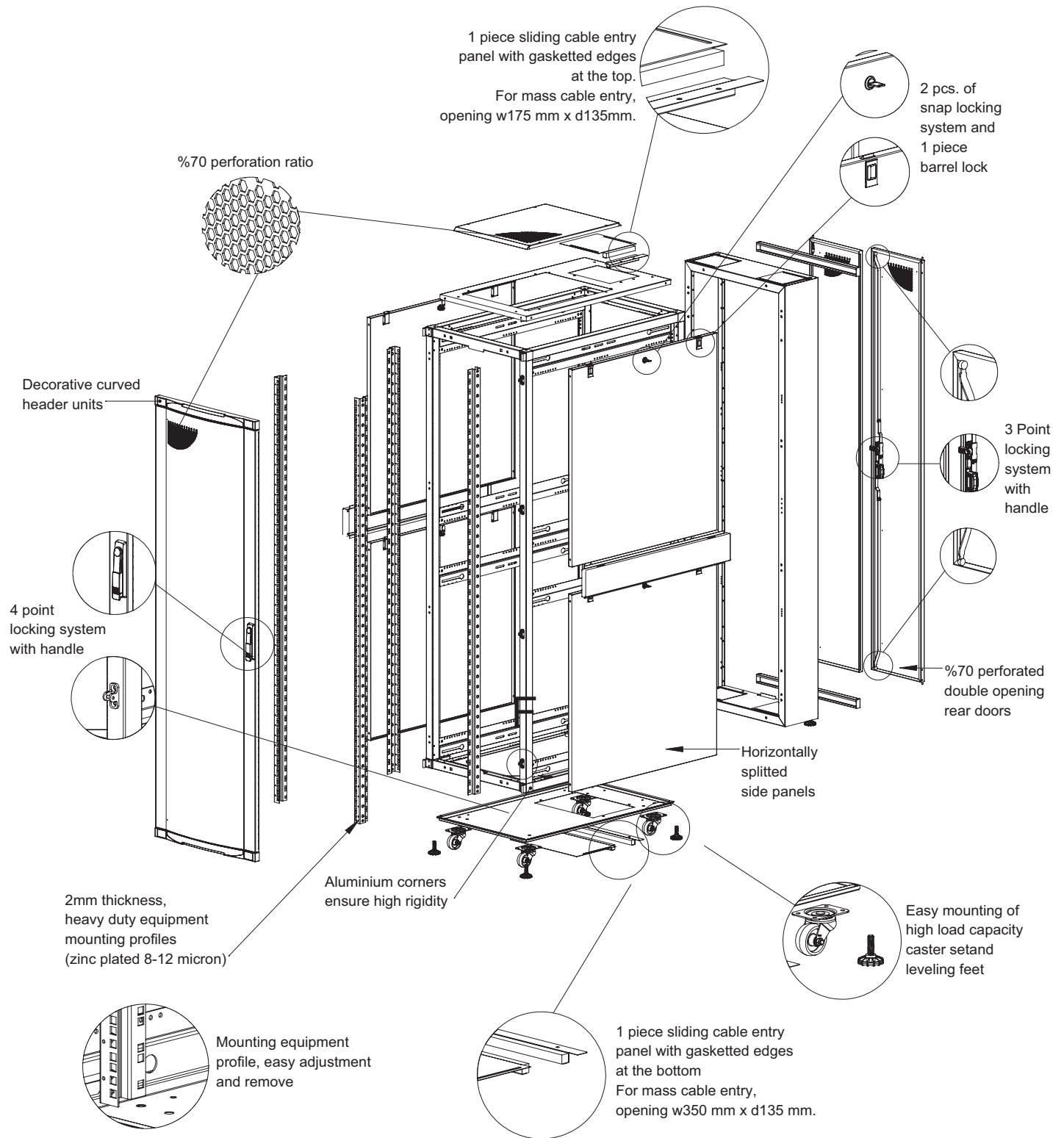
42U, 45U and 47U 600x1200 mm DYNAmax Server Cabinets have single curved %70 perforated 4 point handle lock front door and %70 perforated flat shape wardrobe style rear doors.

19" DYNAmax

Free Standing Server Cabinets

Width: 600 mm
Depth: 1200 mm

Exploded View

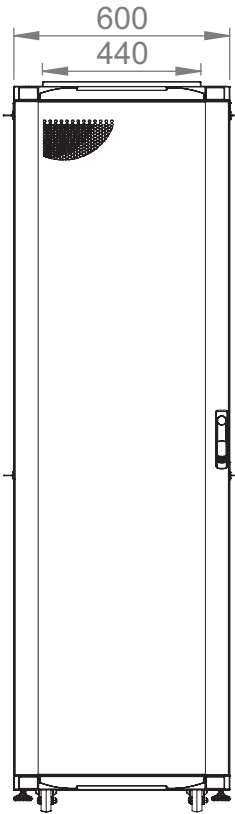


19" DYNAmax

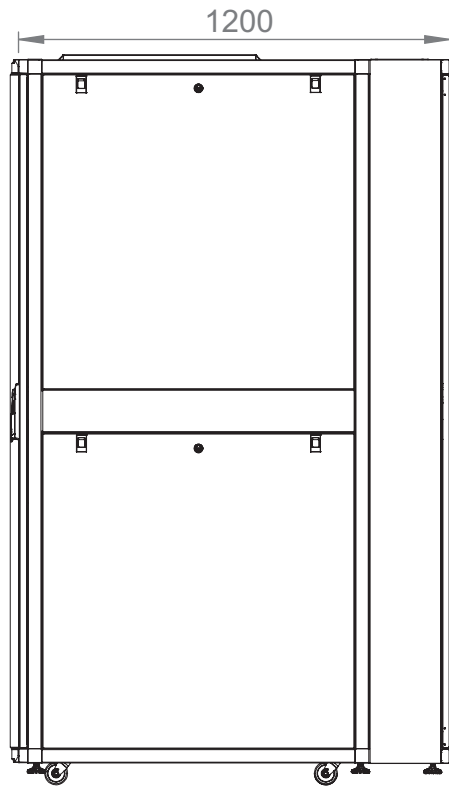
Free Standing Server Cabinets

Width: 600 mm
Depth: 1200 mm

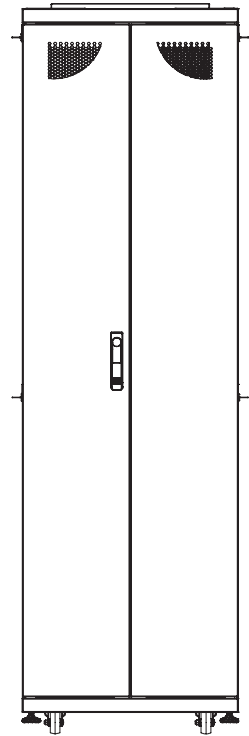
Construction Drawings



Front view



Side view



Rear view

19" DYNAmax Series Free Standing Server Cabinets W=600 mm D=1200 mm

Product Number***	Product Description	Size WxDxH mm	h Size in U	h in mm	*H mm, overall without feet and/or castor	Width Overall mm	Width Rail to Rail	Depth Overall mm	**Depth Shipping Conf. Rail to Rail mm	QTY IN PACKAGE	PACKING DIMENSIONS WxDxH mm	Standard NET Weight of Product kgs	Gross Weight of Product kgs	QTY IN PALLET	PALLET DIMENSIONS WxDxH mm	Pallet Weight kgs
LN-SR42U6012-CC-CFAA	42U 19" Free Standing Server Cabinet W=600 mm D=1200 mm	600x1200x1970	42U	1867	1970	600	19"	1200	720	1	680x1240x2100	124,6	138,6	1	680x1240x2260	153,6
LN-SR45U6012-CC-CFAA	45U 19" Free Standing Server Cabinet W=600 mm D=1200 mm	600x1200x2105	45U	2000	2105	600	19"	1200	720	1	680x1240x2235	131,6	145,6	1	680x1240x2385	159,6
LN-SR47U6012-CC-CFAA	47U 19" Free Standing Server Cabinet W=600 mm D=1200 mm	600x1200x2194	47U	2089	2194	600	19"	1200	720	1	680x1240x2325	138,6	152,6	1	680x1240x2475	166,6

* Please add 80 mm to H mm for combined caster and leveling feet for shipping configuration.

** See min and max adjustable depth variations on drawings.

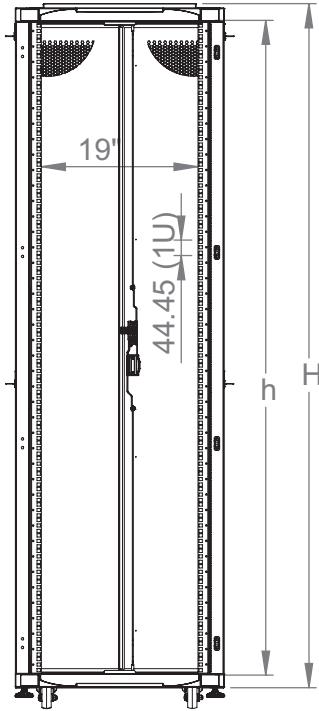
***CC= LG for Light Grey RAL 7035 & BL for Black RAL 9005 for customers to define while ordering, for "CFAA" selection please see the door options.

19" DYNAmax

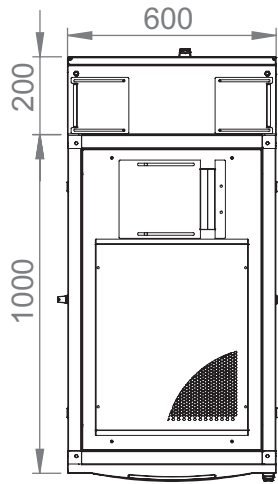
Free Standing Server Cabinets

Width: 600 mm
Depth: 1200 mm

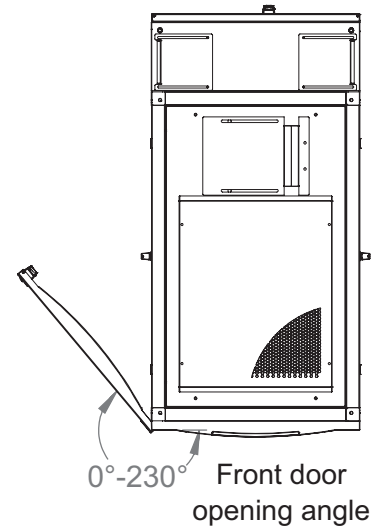
Construction Drawings



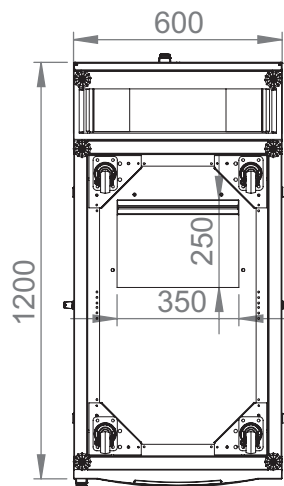
Front inside view



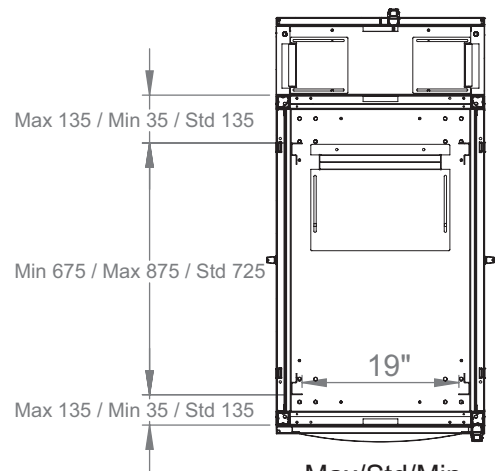
Top view



0°-230° Front door opening angle



Bottom view



Max/Std/Min Equipment mounting distance

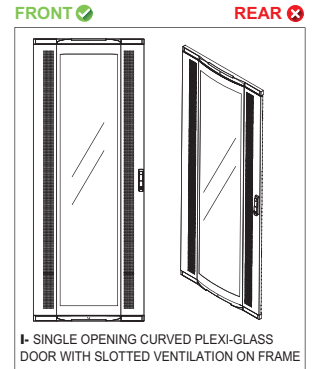
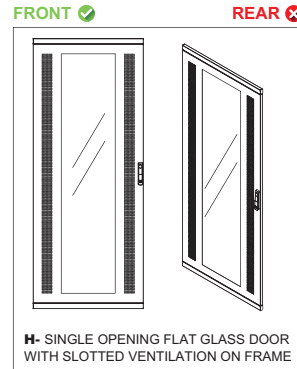
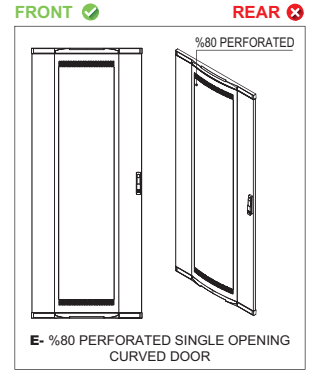
	h	H
42U	1867 mm	1970 mm
45U	2000 mm	2105 mm
47U	2089 mm	2194 mm

19" DYNAmax

Free Standing Server Cabinets

Width: 600 mm
Depth: 1200 mm

Door Options



DYNAmax Server Cabinet W=600 mm D=1200 mm All Heights FRONT DOOR Options	DYNAmax Server Cabinet W=600 mm D=1200 mm All Heights REAR DOOR Options	DYNAmax Server Cabinet W=600 mm D=1200 mm All Heights SIDE PANEL Options
<p>B %70 perforated single opening flat door</p> <p>C %70 perforated single opening curved door</p> <p>D %80 perforated single opening flat door</p> <p>E %80 perforated single opening curved door</p> <p>F %70 perforated double opening flat door</p> <p>G %80 perforated double opening flat door</p> <p>H Single opening flat glass door with slotted ventilation on frame</p> <p>I Single opening curved plexi-glass door with slotted ventilation on frame</p>	<p>B %70 perforated single opening flat door</p> <p>D %80 perforated single opening flat door</p> <p>F %70 perforated double opening flat door</p> <p>G %80 perforated double opening flat door</p>	<p>AA Both sides equipped with standard side panels</p> <p>00 No side panels on cabinet</p>
LN-AA - XXU - WW - DD - CC		0 0 00
<p>LN: Corporate codification beginning letters mentioning Lande in Short Format as LN</p> <p>AA: Family group of enclosure; SR for server enclosure range</p> <p>XX: Numeric character defining the height of enclosures, depending on model differences between 42 to 47 to be selected from price list, website or catalogue</p> <p>U: U height alphanumeric notation, concrete (non editable- fixed character)</p> <p>WW: The first 2 digits of the width info, 60 for W=600 mm, 80 for W=800 mm</p> <p>DD: The first 2 digits of the depth info, 12 for D=1200 mm cabinets</p> <p>CC: Color code, LG for Light Grey RAL 7035, BL for Black RAL 9005</p>		<p>B-C-D-E-F-G-H-I options, unless defined C type door will be in shipping configuration.</p> <p>B-D-F-G options, unless defined F type door will be in shipping configuration.</p> <p>AA both sides equipped with standard side panels 00 no side panels on cabinet.</p>

19" DYNAmax

Free Standing Server Cabinets

Width: 800 mm
Depth: 1000 mm

Load Capacity: 1000 kgs.

U Height: 36U, 42U, 45U, 47U

Standards and Compliances:



ISO 9001
Quality Management System

EN 61587-1
Mechanical Structures for
Electronic Equipment

EN IEC 60297, 19" Mounting
EN IEC 60917 Overall Cabinet
Dimensions

EN/IEC 60529 - IP20 Ingress Protection
performance

EN/IEC 62262 - IK07 Mechanical
Impact Resistance

EIA/ ECA-310 (D/E) 19" 482,6 mm
and U 44,45 mm Height Sizing



CE conform to
EN 60950-1
Information Technology
Equipment, Safety,
Part-1: General Requirement

EN IEC 62368-1 Audio/Video, Information
and Communication Technology
Equipment
Part 1: Safety requirements



UL listed to
UL 2416, Outline of Investigation for
Audio/Video, Information and
Communication Technology Equipment
Cabinet, Enclosure and Rack
Systems; UL 60950-1 and CSA C22.2
NO. 60950-1-07, Information Technology
Equipment Safety
Part 1: General Requirements



Environment Friendly;
ISO 14001 Environmental
Management System
RoHS compliancy
%100 Recyclable Material

Standard Color:



RAL 7035 Light Grey



RAL 9005 Black



DYNAmax series Server Enclosures, with 19" w:800 mm and d:1000 mm physical sizes, with max internal usable depth, and 4 different height.

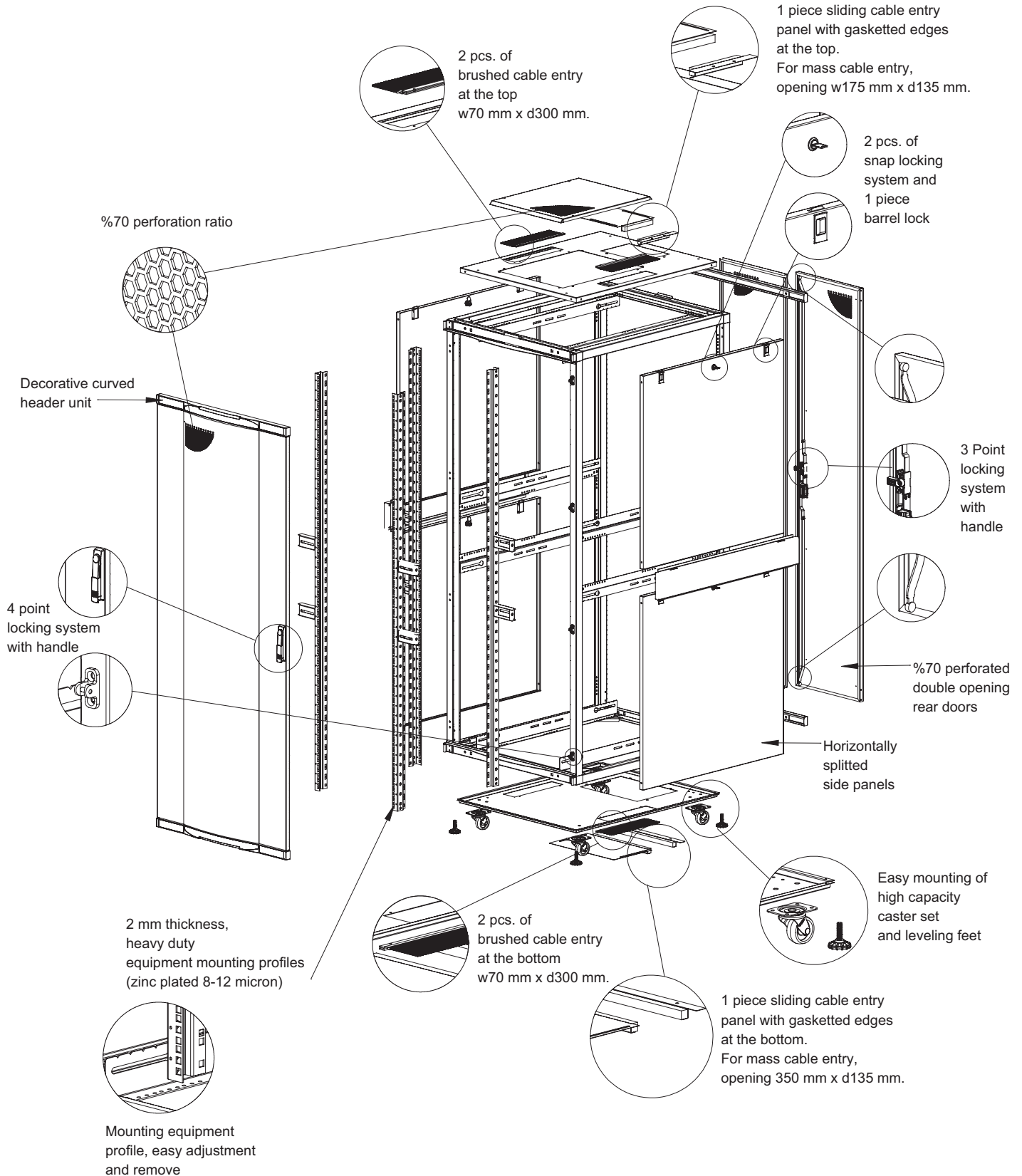
Please see door options in page 27.

19" DYNAmax

Free Standing Server Cabinets

Width: 800 mm
Depth: 1000 mm

Exploded View

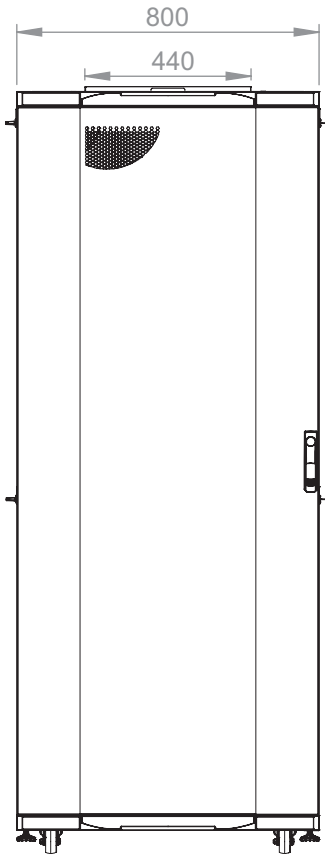


19" DYNAmax

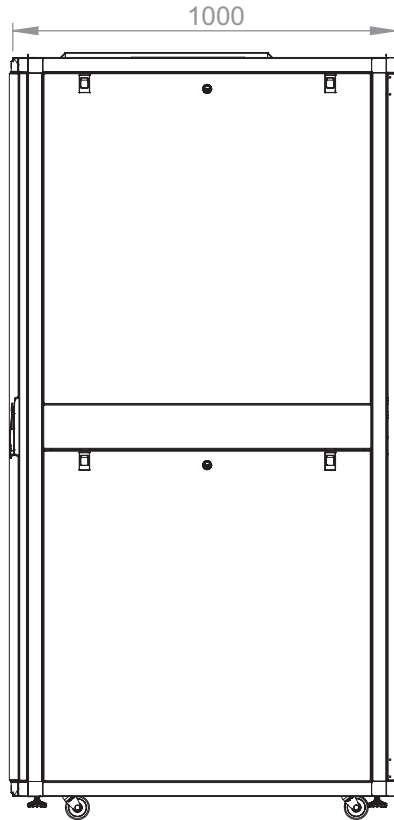
Free Standing Server Cabinets

Width: 800 mm
Depth: 1000 mm

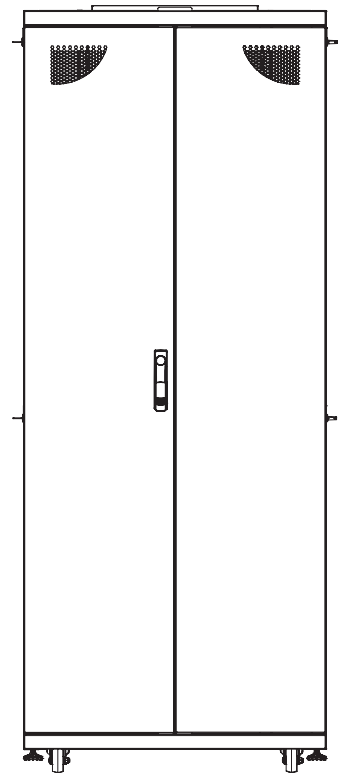
Construction Drawings



Front view



Side view



Rear view

19" DYNAmax Series Free Standing Server Cabinets W=800 mm D=1000 mm

Product Number***	Product Description	Size WxDxH mm	h Size in U	h in mm	*H mm, overall without feet and/or castor	Width Overall mm	Width Rail to Rail	Depth Overall mm	**Depth Shipping Conf. Rail to Rail mm	QTY IN PACKAGE	PACKING DIMENSIONS WxDxH mm	Standard NET Weight of Product kgs	Gross Weight of Product kgs	QTY IN PALLET	PALLET DIMENSIONS WxDxH mm	Pallet Weight kgs
LN-SR36U8010-CC-CFAA	36U 19" Free Standing Server Cabinet W=800 mm D=1000 mm	800x1000x1705	36U	1600	1705	800	19"	1000	720	1	880x1080x1845	117	139	1	880x1080x1845	153
LN-SR42U8010-CC-CFAA	42U 19" Free Standing Server Cabinet W=800 mm D=1000 mm	800x1000x1970	42U	1867	1970	800	19"	1000	720	1	880x1080x2100	128	148	1	880x1080x2100	162
LN-SR45U8010-CC-CFAA	45U 19" Free Standing Server Cabinet W=800 mm D=1000 mm	800x1000x2105	45U	2000	2105	800	19"	1000	720	1	880x1080x2245	137	159	1	880x1080x2245	173
LN-SR47U8010-CC-CFAA	47U 19" Free Standing Server Cabinet W=800 mm D=1000 mm	800x1000x2194	47U	2089	2194	800	19"	1000	720	1	880x1080x2334	144	166	1	880x1080x2334	180

* Please add 80 mm to H mm for combined caster and leveling feet for shipping configuration.

** See min and max adjustable depth variations on drawings.

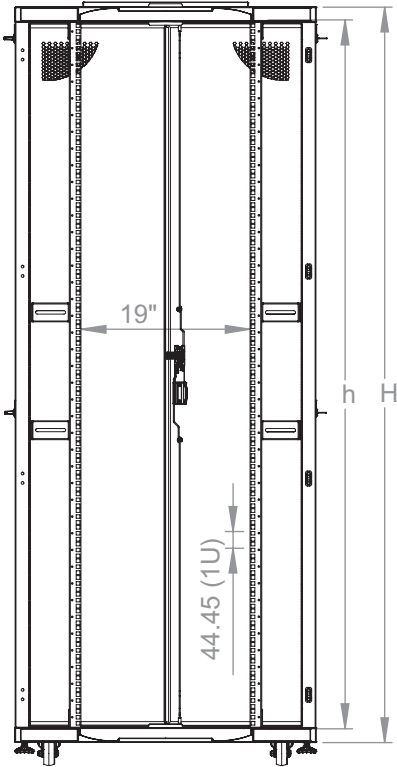
***CC= LG for Light Grey RAL 7035 & BL for Black RAL 9005 for customers to define while ordering, for "CFAA" selection please see the door options.

19" DYNAmax

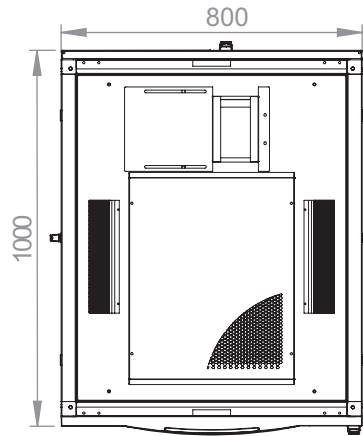
Free Standing Server Cabinets

Width: 800 mm
Depth: 1000 mm

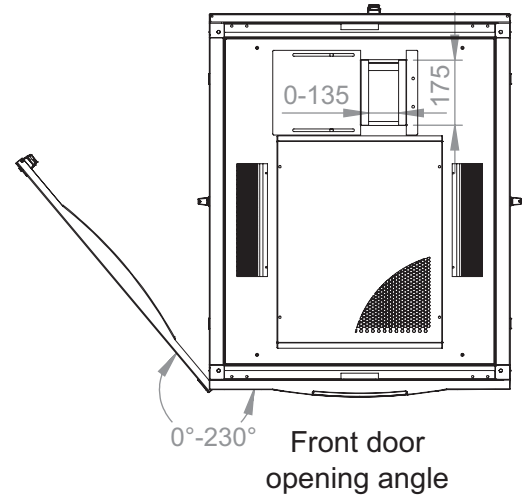
Construction Drawings



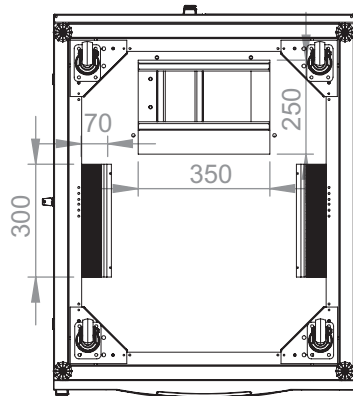
Front inside view



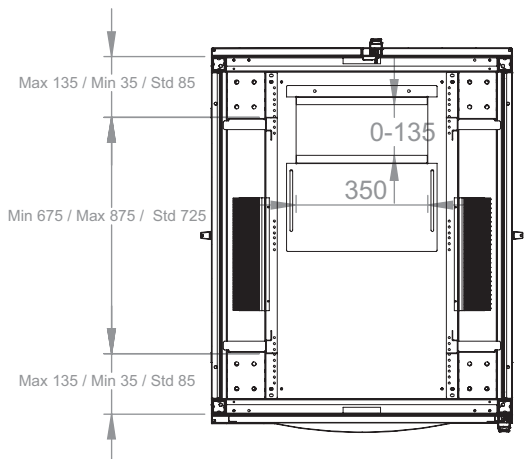
Top view



0°-230° Front door opening angle



Bottom view



Max/Std/Min Equipment mounting Distance

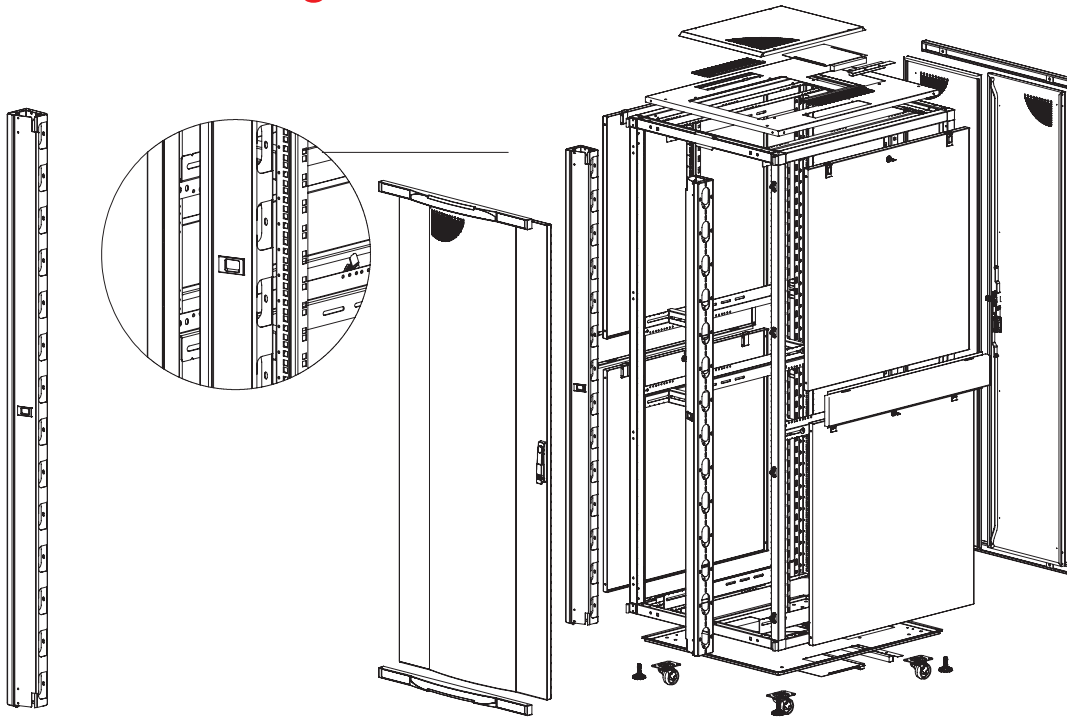
	h	H
36U	1600 mm	1705 mm
42U	1867 mm	1970 mm
45U	2000 mm	2105 mm
47U	2089 mm	2194 mm

19" DYNAmax

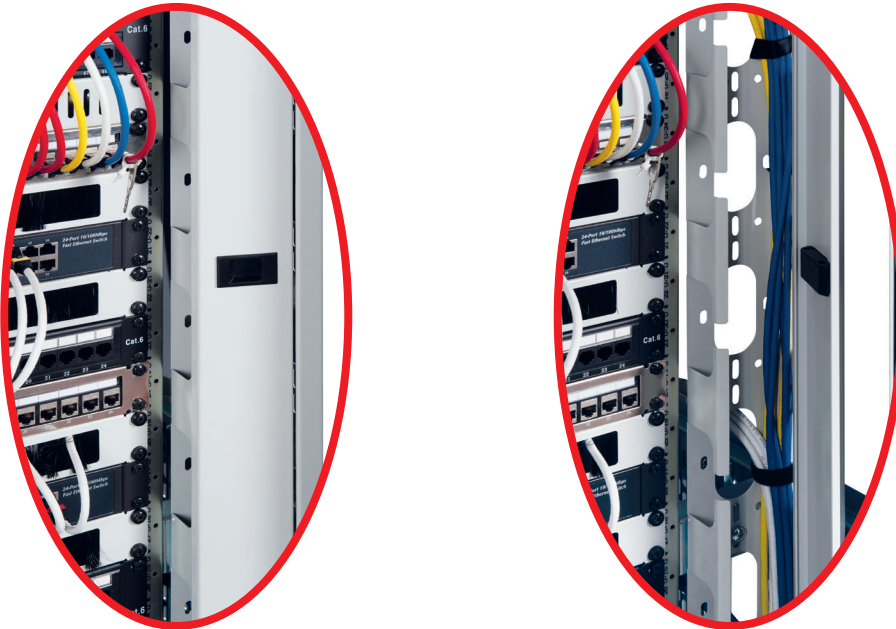
Free Standing Server Cabinets

Width: 800 mm
Depth: 1000 mm

Construction Drawings



Optional vertical cable management panel possible to use in front or at rear



Solid Metal Vertical Cable Management Trunking

Product Number	Product Model	Product Description	Dimensions WxDxH mm	19" DYNAmax Free Standing Server Cabinets Comptible With			
				600x1000 mm	600x1200 mm	800x1000 mm	800x1200 mm
LN-KDG-ORG-36EU-CC	Solid Metal Vertical Cable Management Trunking	36U Metal Cable Management panel set left/right	93x82x1598	-	-	✓	✓
LN-KDG-ORG-42EU-CC		42U Metal Cable Management panel set left/right	93x82x1865	-	-	✓	✓
LN-KDG-ORG-45EU-CC		45U Metal Cable Management panel set left/right	93x82x1998	-	-	✓	✓
LN-KDG-ORG-47EU-CC		47U Metal Cable Management panel set left/right	93x82x2087	-	-	✓	✓

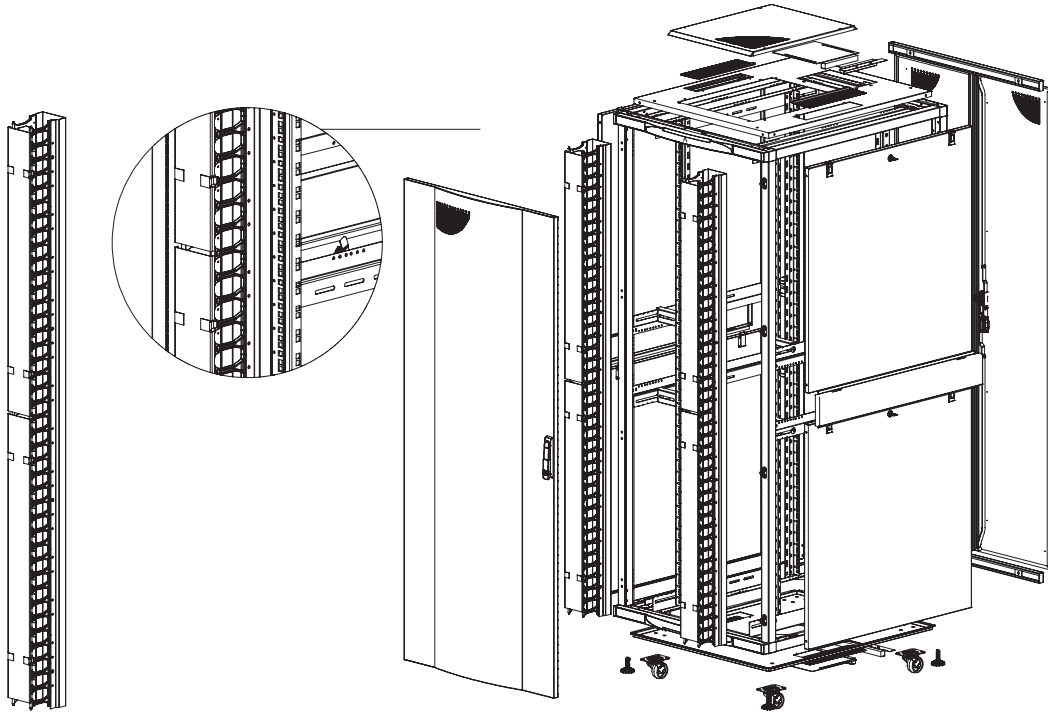
** CC= Color Code, LG Light Grey RAL 7035, BL Black RAL 9005, please define the color of cabinet while ordering.

19" DYNAmax

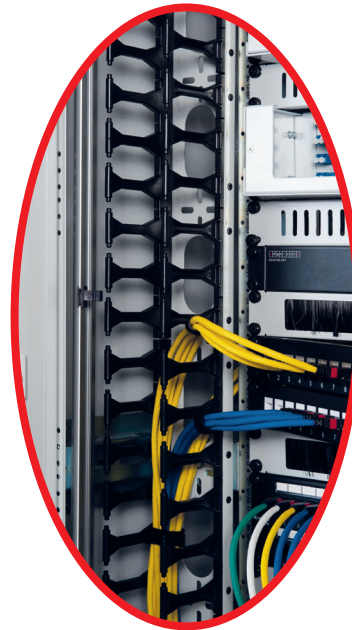
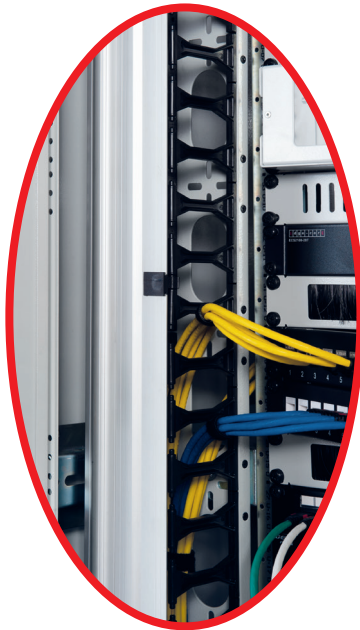
Free Standing Server Cabinets

Width: 800 mm
Depth: 1000 mm

Construction Drawings



Optional vertical cable management panel possible to use in front or at rear



High Density Vertical Cable Management Trunking with Cable Management Fingers

Product Number	Product Model	Product Description	Dimensions WxDxH mm	19" DYNAmax Free Standing Server Cabinets Comptible With			
				600x1000 mm	600x1200 mm	800x1000 mm	800x1200 mm
LN-KDG-ORG-36HD-CC	High Density Vertical Cable Management Trunking with Cable Management Fingers	36U Aluminium Cover Cable Management panel set left/right, finger type	90x125x1603	-	-	✓	✓
LN-KDG-ORG-42HD-CC		42U Aluminium Cover Cable Management panel set left/right, finger type	90x125x1870	-	-	✓	✓
LN-KDG-ORG-45HD-CC		45U Aluminium Cover Cable Management panel set left/right, finger type	90x125x2003	-	-	✓	✓
LN-KDG-ORG-47HD-CC		47U Aluminium Cover Cable Management panel set left/right, finger type	90x125x2092	-	-	✓	✓

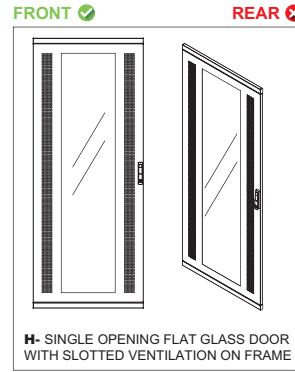
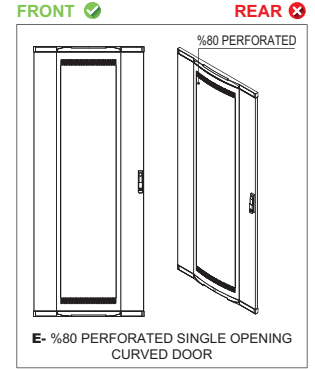
** CC= Color Code, LG Light Grey RAL 7035, BL Black RAL 9005, please define the color of cabinet while ordering.

19" DYNAmax

Free Standing Server Cabinets

Width: 800 mm
Depth: 1000 mm

Door Options



DYNAmax Server Cabinet W=800 mm D=1000 mm All Heights FRONT DOOR Options	DYNAmax Server Cabinet W=800 mm D=1000 mm All Heights REAR DOOR Options	DYNAmax Server Cabinet W=800 mm D=1000 mm All Heights SIDE PANEL Options
<p>B %70 perforated single opening flat door</p> <p>C %70 perforated single opening curved door</p> <p>D %80 perforated single opening flat door</p> <p>E %80 perforated single opening curved door</p> <p>F %70 perforated double opening flat door</p> <p>G %80 perforated double opening flat door</p> <p>H Single opening flat glass door with slotted ventilation on frame</p> <p>I Single opening curved plexi-glass door with slotted ventilation on frame</p>	<p>B %70 perforated single opening flat door</p> <p>D %80 perforated single opening flat door</p> <p>F %70 perforated double opening flat door</p> <p>G %80 perforated double opening flat door</p>	<p>AA Both sides equipped with standard side panels</p> <p>00 No side panels on cabinet</p>
LN-AA - XXU - WW - DD - CC		0 0 00
<p>LN: Corporate codification beginning letters mentioning Lande in Short Format as LN</p> <p>AA: Family group of enclosure; SR for server enclosure range</p> <p>XX: Numeric character defining the height of enclosures, depending on model differences between 42 to 47 to be selected from price list, website or catalogue</p> <p>U: U height alphanumeric notation, concrete (non editable- fixed character)</p> <p>WW: The first 2 digits of the width info, 60 for W=600 mm, 80 for W=800 mm</p> <p>DD: The first 2 digits of the depth info, 10 for D=1000 mm cabinets</p> <p>CC: Color code, LG for Light Grey RAL 7035, BL for Black RAL 9005</p>		<p>B-C-D-E-F-G-H-I options, unless defined C type door will be in shipping configuration.</p> <p>B-D-F-G options, unless defined F type door will be in shipping configuration.</p> <p>AA both sides equipped with standard side panels 00 no side panels on cabinet.</p>

19" DYNAmax

Free Standing Server Cabinets

Width: 800 mm
Depth: 1200 mm

Load Capacity: 1000 kgs.

U Height: 42U, 45U, 47U

Standards and Compliances:



ISO 9001
Quality Management System

EN 61587-1
Mechanical Structures for
Electronic Equipment

EN IEC 60297, 19" Mounting
EN IEC 60917 Overall Cabinet
Dimensions

EN/IEC 60529 - IP20 Ingress Protection
performance

EN/IEC 62262 - IK07 Mechanical
Impact Resistance

EIA/ ECA-310 (D/E) 19" 482,6 mm
and U 44,45 mm Height Sizing



CE conform to
EN 60950-1
Information Technology
Equipment, Safety,
Part-1: General Requirement

EN IEC 62368-1 Audio/Video, Information
and Communication Technology
Equipment
Part 1: Safety requirements



UL listed to
UL 2416, Outline of Investigation for
Audio/Video, Information and
Communication Technology Equipment
Cabinet, Enclosure and Rack
Systems; UL 60950-1 and CSA C22.2
NO. 60950-1-07, Information Technology
Equipment Safety
Part 1: General Requirements



Environment Friendly;
ISO 14001 Environmental
Management System
RoHS compliancy
%100 Recyclable Material

Standard Color:



RAL 7035 Light Grey



RAL 9005 Black



DYNAmax series Server Enclosures, with 19" w:800 mm and d:1200 mm physical sizes, with max internal usable depth, and 3 different height.

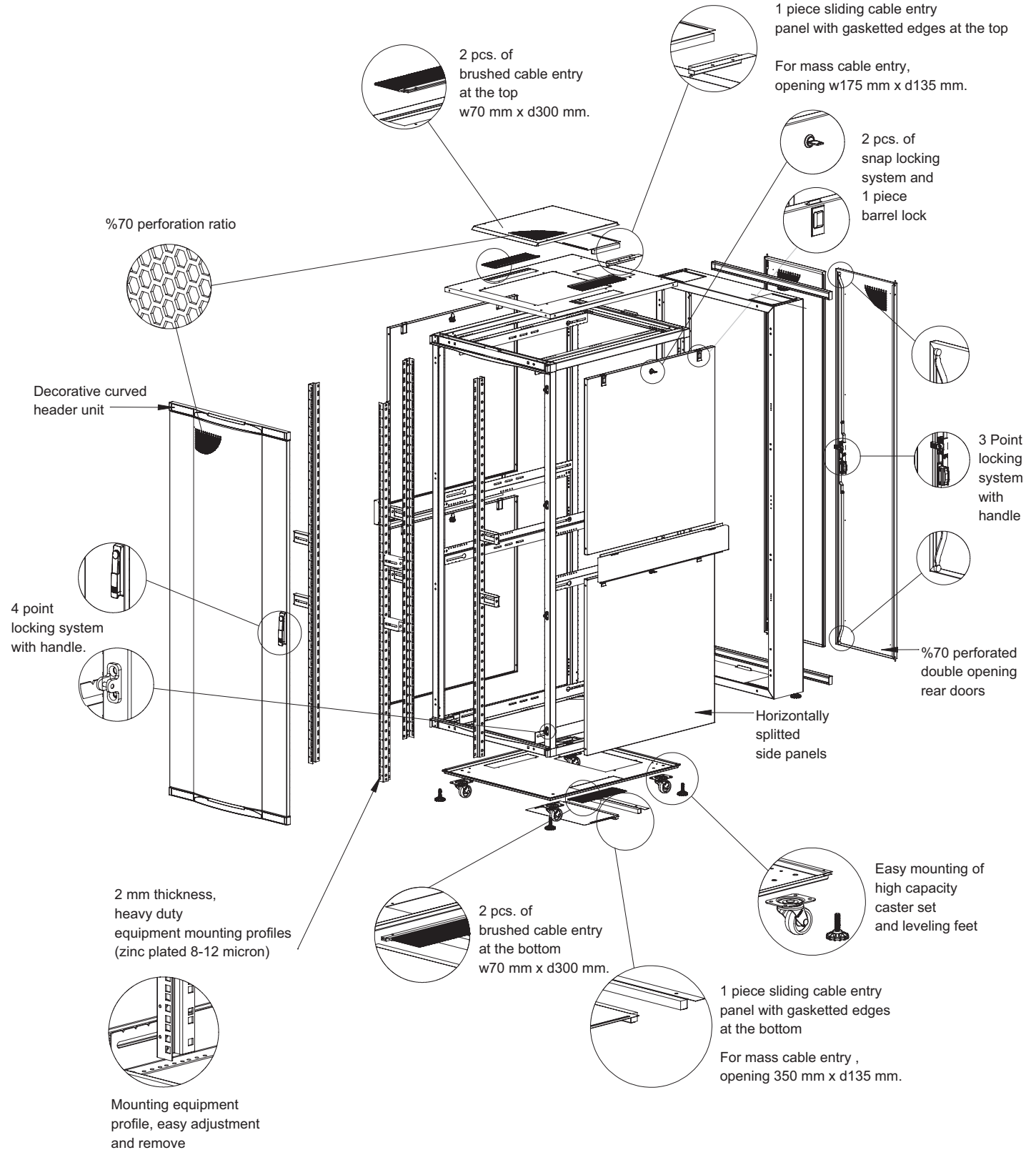
Please see door options in page 34.

19" DYNAmax

Free Standing Server Cabinets

Width: 800 mm
Depth: 1200 mm

Exploded View

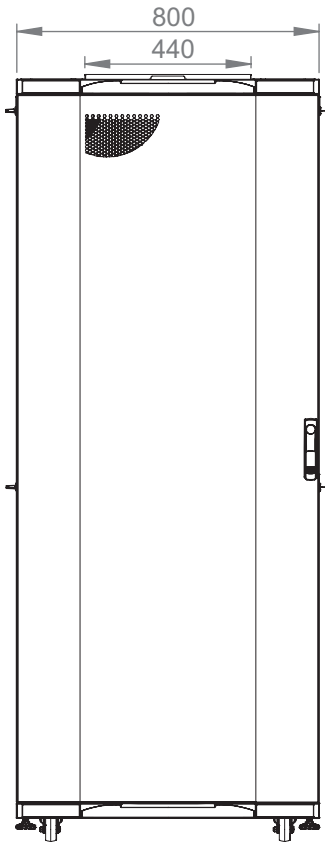


19" DYNAmax

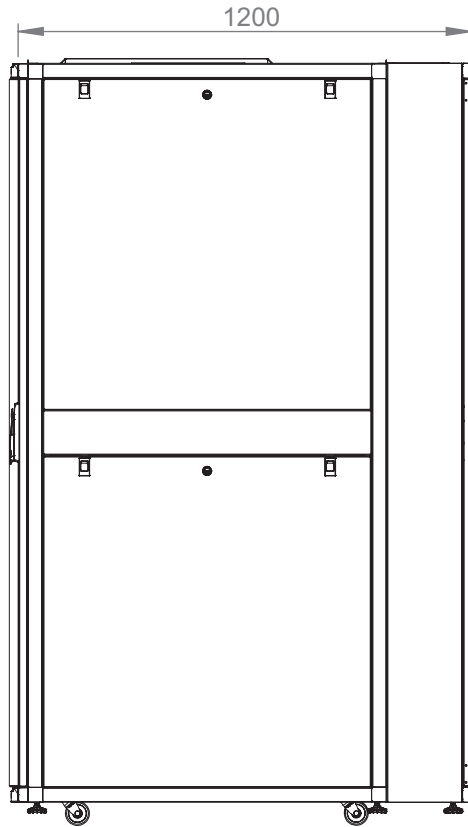
Free Standing Server Cabinets

Width: 800 mm
Depth: 1200 mm

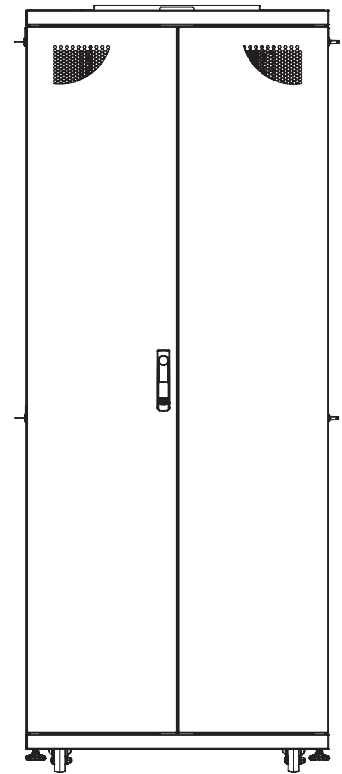
Construction Drawings



Front view



Side view



Rear view

19" DYNAmax Series Free Standing Server Cabinets W=800 mm D=1200 mm

Product Number***	Product Description	Size WxDxH mm	h Size in U	h in mm	*H mm, overall without feet and/or castor	Width Overall mm	Width Rail to Rail	Depth Overall mm	**Depth Shipping Conf. Rail to Rail mm	QTY IN PACKAGE	PACKING DIMENSIONS WxDxH mm	Standard NET Weight of Product kgs	Gross Weight of Product kgs	QTY IN PALLET	PALLET DIMENSIONS WxDxH mm	Pallet Weight kgs
LN-SR42U8012-CC-CFAA	42U 19" Free Standing Server Cabinet W=800 mm D=1200 mm	800x1200x1970	42U	1867	1970	800	19"	1200	720	1	880x1240x2100	137,6	151,6	1	880x1240x2260	166,6
LN-SR45U8012-CC-CFAA	45U 19" Free Standing Server Cabinet W=800 mm D=1200 mm	800x1200x2105	45U	2000	2105	800	19"	1200	720	1	880x1240x2235	144,6	158,6	1	880x1240x2385	172,6
LN-SR47U8012-CC-CFAA	47U 19" Free Standing Server Cabinet W=800 mm D=1200 mm	800x1200x2194	47U	2089	2194	800	19"	1200	720	1	880x1240x2325	151,6	165,6	1	880x1240x2475	179,6

* Please add 80 mm to H mm for combined caster and leveling feet for shipping configuration.

** See min and max adjustable depth variations on drawings.

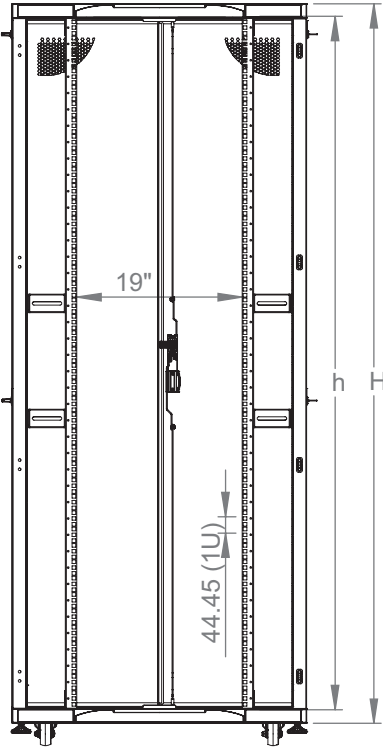
***CC= LG for Light Grey RAL 7035 & BL for Black RAL 9005 for customers to define while ordering, for "CFAA" selection please see the door options.

19" DYNAmax

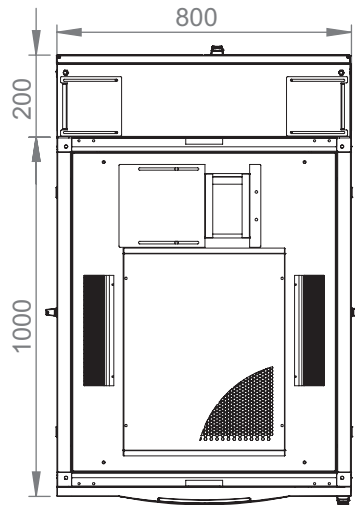
Free Standing Server Cabinets

Width: 800 mm
Depth: 1200 mm

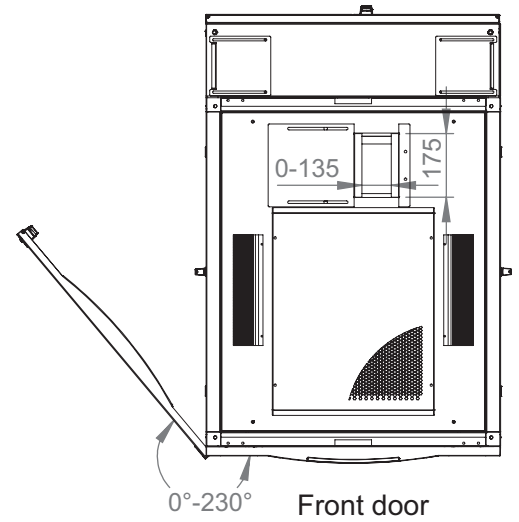
Construction Drawings



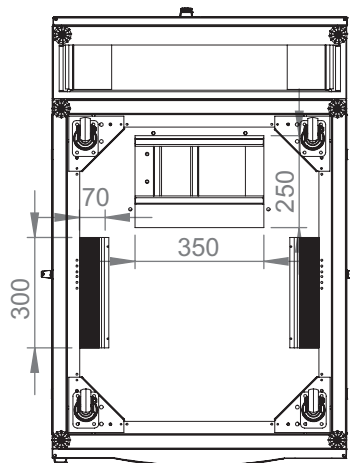
Front inside view



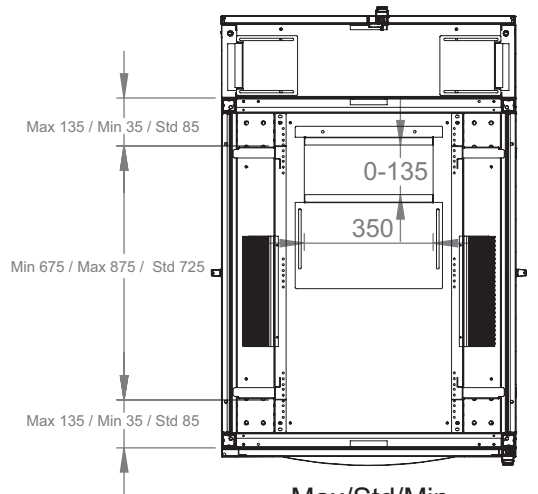
Top view



0°-230° Front door opening angle



Bottom view



Max/Std/Min Equipment mounting Distance

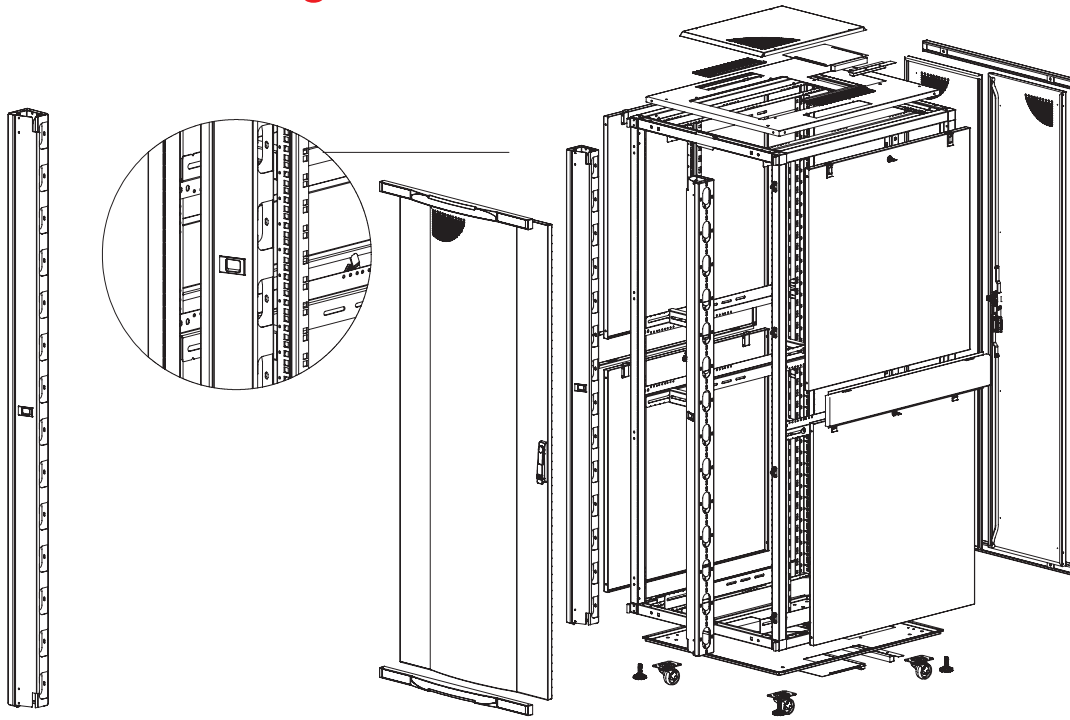
	h	H
42U	1867 mm	1970 mm
45U	2000 mm	2105 mm
47U	2089 mm	2194 mm

19" DYNAmax

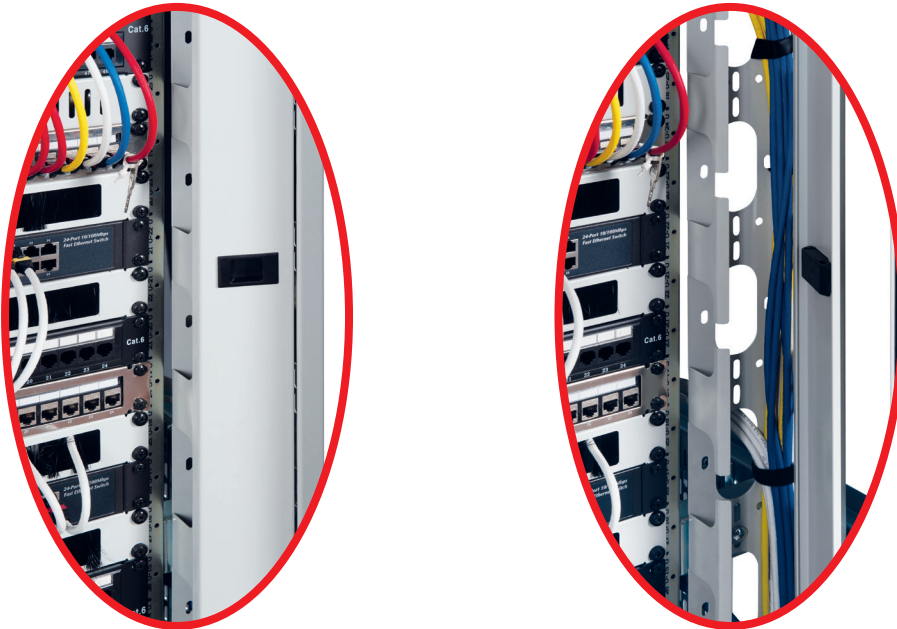
Free Standing Server Cabinets

Width: 800 mm
Depth: 1200 mm

Construction Drawings



Optional vertical cable management panel possible to use in front or at rear



Solid Metal Vertical Cable Management Trunking

Product Number	Product Model	Product Description	Dimensions WxDxH mm	19" DYNAmax Free Standing Server Cabinets Comptible With			
				600x1000 mm	600x1200 mm	800x1000 mm	800x1200 mm
LN-KDG-ORG-36EU-CC	Solid Metal Vertical Cable Management Trunking	36U Metal Cable Management panel set left/right	93x82x1598	-	-	✓	✓
LN-KDG-ORG-42EU-CC		42U Metal Cable Management panel set left/right	93x82x1865	-	-	✓	✓
LN-KDG-ORG-45EU-CC		45U Metal Cable Management panel set left/right	93x82x1998	-	-	✓	✓
LN-KDG-ORG-47EU-CC		47U Metal Cable Management panel set left/right	93x82x2087	-	-	✓	✓

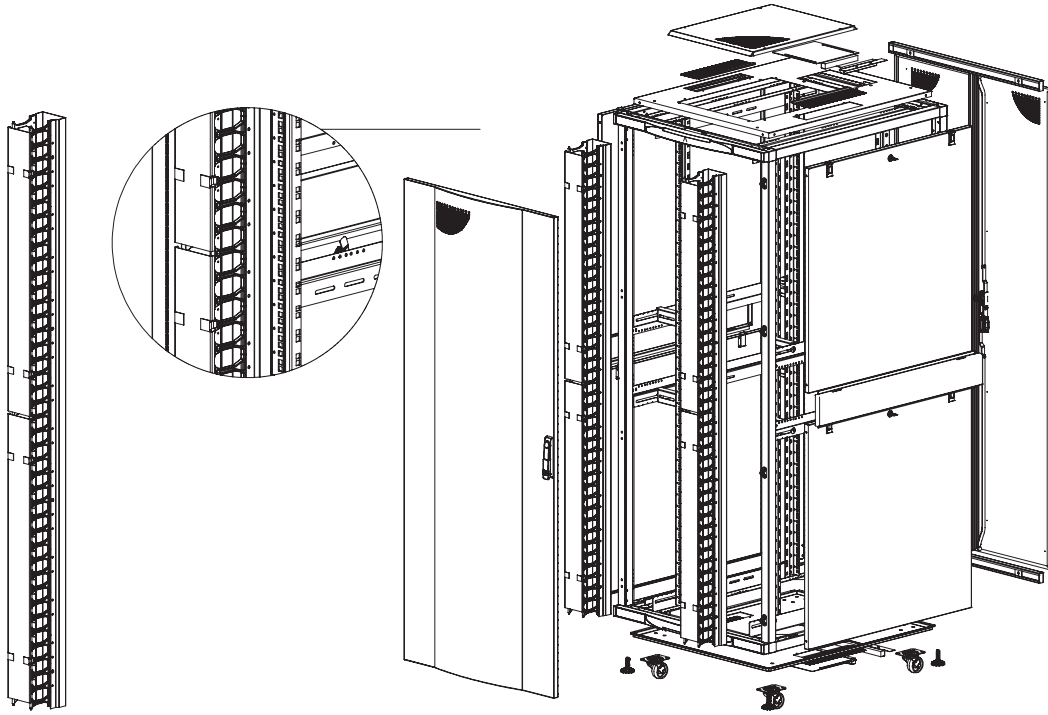
** CC= Color Code, LG Light Grey RAL 7035, BL Black RAL 9005, please define the color of cabinet while ordering.

19" DYNAmax

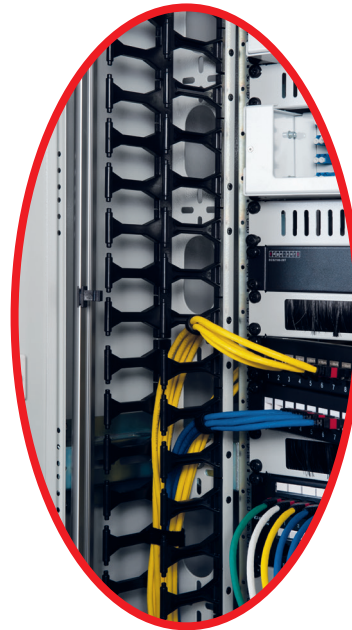
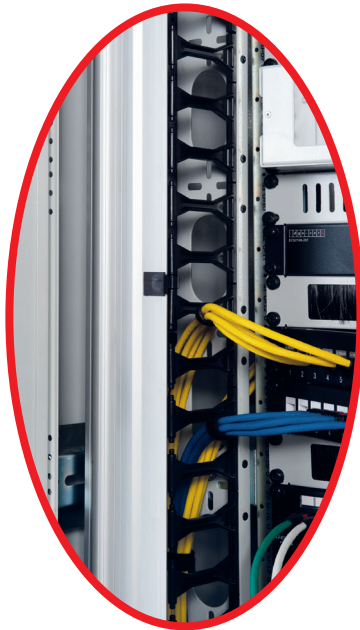
Free Standing Server Cabinets

Width: 800 mm
Depth: 1200 mm

Construction Drawings



Optional vertical cable management panel possible to use in front or at rear



High Density Vertical Cable Management Trunking with Cable Management Fingers

Product Number	Product Model	Product Description	Dimensions WxDxH mm	19" DYNAmax Free Standing Server Cabinets Comptible With			
				600x1000 mm	600x1200 mm	800x1000 mm	800x1200 mm
LN-KDG-ORG-36HD-CC	High Density Vertical Cable Management Trunking with Cable Management Fingers	36U Aluminium Cover Cable Management panel set left/right, finger type	90x125x1603	-	-	✓	✓
LN-KDG-ORG-42HD-CC		42U Aluminium Cover Cable Management panel set left/right, finger type	90x125x1870	-	-	✓	✓
LN-KDG-ORG-45HD-CC		45U Aluminium Cover Cable Management panel set left/right, finger type	90x125x2003	-	-	✓	✓
LN-KDG-ORG-47HD-CC		47U Aluminium Cover Cable Management panel set left/right, finger type	90x125x2092	-	-	✓	✓

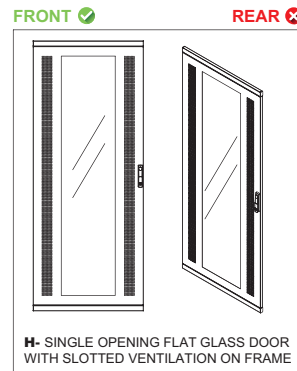
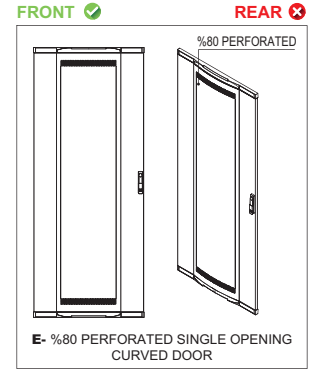
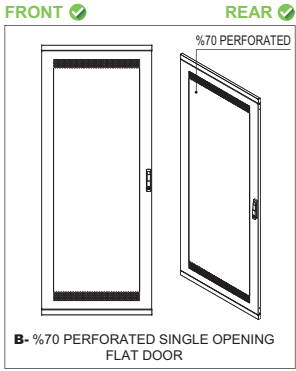
** CC= Color Code, LG Light Grey RAL 7035, BL Black RAL 9005, please define the color of cabinet while ordering.

19" DYNAmax

Free Standing Server Cabinets

Width: 800 mm
Depth: 1200 mm

Door Options



DYNAmax Server Cabinet W=800 mm D=1200 mm All Heights FRONT DOOR Options	DYNAmax Server Cabinet W=800 mm D=1200 mm All Heights REAR DOOR Options	DYNAmax Server Cabinet W=800 mm D=1200 mm All Heights SIDE PANEL Options
<p>B %70 perforated single opening flat door</p> <p>C %70 perforated single opening curved door</p> <p>D %80 perforated single opening flat door</p> <p>E %80 perforated single opening curved door</p> <p>F %70 perforated double opening flat door</p> <p>G %80 perforated double opening flat door</p> <p>H Single opening flat glass door with slotted ventilation on frame</p> <p>I Single opening curved plexi-glass door with slotted ventilation on frame</p>	<p>B %70 perforated single opening flat door</p> <p>D %80 perforated single opening flat door</p> <p>F %70 perforated double opening flat door</p> <p>G %80 perforated double opening flat door</p>	<p>AA Both sides equipped with standard side panels</p> <p>00 No side panels on cabinet</p>
LN-AA - XXU - WW - DD - CC		0 0 00
<p>LN: Corporate codification beginning letters mentioning Lande in Short Format as LN</p> <p>AA: Family group of enclosure; SR for server enclosure range</p> <p>XX: Numeric character defining the height of enclosures, depending on model differences between 42 to 47 to be selected from price list, website or catalogue</p> <p>U: U height alphanumeric notation, concrete (non editable- fixed character)</p> <p>WW: The first 2 digits of the width info, 60 for W=600 mm, 80 for W=800 mm</p> <p>DD: The first 2 digits of the depth info, 12 for D=1200 mm cabinets</p> <p>CC: Color code, LG for Light Grey RAL 7035, BL for Black RAL 9005</p>		<p>B-C-D-E-F-G-H-I options, unless defined C type door will be in shipping configuration.</p> <p>B-D-F-G options, unless defined F type door will be in shipping configuration.</p> <p>AA both sides equipped with standard side panels 00 no side panels on cabinet.</p>

19" DYNAmax

Free Standing Server Cabinets

Frequent Used Accesorry Selection Chart



Frequent Used Accesories DYNAmax Series Server Cabinets Sizes W:width mm D:depth mm					
Part Number	Product Description	w:600 x d:1000 mm	w:600 x d:1200 mm	w:800 x d:1000 mm	w:800 x d:1200 mm
LN-RAF-SBT-D100-CC	Fixed shelves compatible with only Lande Cabinet	✓	✓	✓	✓
LN-RAF-SBT-D100-CC-UNV	Fixed shelves universal multivendor	✓	✓	✓	✓
LN-RAF-SBA-D100-CC	Heavy duty fixed shelves	✓	✓	✓	✓
LN-RAF-HRA-D100-CC	Heavy duty sliding shelves	✓	✓	✓	✓

**CC is color code: please insert BL for Black and LG for Light Grey on the part numbers while creating order.



Frequent Used Accesories DYNAmax Series Server Cabinets Sizes W:width mm D:depth mm					
Part Number	Product Description	w:600 x d:1000 mm	w:600 x d:1200 mm	w:800 x d:1000 mm	w:800 x d:1200 mm
LN-FAN-ONF-4FSR-CC	4 fan Units on/off switched	✓	✓	✓	✓
LN-FAN-ONF-6FSR-CC	6 fan Units on/off switched	✓	✓	✓	✓
LN-FAN-THM-4FSR-CC	4 fan Units with Thermostatic control Unit	✓	✓	✓	✓
LN-FAN-THM-6FSR-CC	6 fan Units with Thermostatic control Unit	✓	✓	✓	✓
LN-KDG-YKD-1UKN-CC	Horizontal Cable Management Panel 19" 1U 5 rings	✓	✓	✓	✓
LN-KDG-ORG-XXEU-CC	Solid Metal Vertical Cable Management Trunking	-	-	✓	✓
LN-KDG-ORG-XXHD-CC	High Density Vertical Cable Management Trunking with Cable Management Fingers	-	-	✓	✓

**CC is color code: please insert BL for Black and LG for Light Grey on the part numbers while creating order.

***XX is the U height of Vertical cable manager, according to selected height of cabinet, please define U height while creating order 36U, 42U, 45U and 47U.



Frequent Used Accesories DYNAmax Series Server Cabinets Sizes W:width mm D:depth mm					
Part Number	Product Description	w:600 x d:1000 mm	w:600 x d:1200 mm	w:800 x d:1000 mm	w:800 x d:1200 mm
LN-PRZ-SGT-1U6P-SC	PDU 6 way DIN49440 Schuko type with 1x16A cct breaker	✓	✓	✓	✓
LN-PRZ-ONF-1U6P-UK	PDU 6 way BS1363 UK type with on/off switch	✓	✓	✓	✓
LN-DGR-KFS-M620-XX	Mounting hardware, fixing M6 cage nut set of 20	✓	✓	✓	✓

19" DYNAmax

Free Standing Server Cabinets

Frequent Used Accesorry Selection Chart



Power Distribution Unit			19" DYNAmax Free Standing Server Cabinets Comptible With															
Part Number	Series	Product Description	w:600 x d:1000 mm					w:600 x d:1200 mm			w:800 x d:1000 mm				w:800 x d:1200 mm			
			12U	26U	36U	42U	45U	47U	42U	45U	47U	36U	42U	45U	47U	42U	45U	47U
1	LN-PRZ-SGT-4224-SC	Basic PDU 24xDIN49440 socket schuko power strip, triple circuit (8+8+8), aluminium housing, 3pcs. 1x10A cct breaker, 250V AC, for 42U, 45U, 47U cabinet height, no cable, ready cable connection point	-	-	-	✓	✓	✓	✓	✓	✓	-	✓	✓	✓	✓	✓	✓
2	LN-PRZ-SGT-4224-IE	Basic PDU 24xIEC 320 C13 socket power strip, triple circuit (8+8+8), aluminium housing, 3pcs. 1x10A cct breaker, 250V AC, for 42U, 45U, 47U cabinet height, no cable, ready cable connection point.	-	-	-	✓	✓	✓	✓	✓	✓	-	✓	✓	✓	✓	✓	✓
3	LN-PRZ-SGT-4218-SC	Basic PDU 18xDIN49440 socket schuko power strip, double circuit (9+9), aluminium housing, 2pcs. 1x16A cct breaker, 250V AC, for 42U, 45U, 47U cabinet height, no cable, ready cable connection point	-	-	-	✓	✓	✓	✓	✓	✓	-	✓	✓	✓	✓	✓	✓
4	LN-PRZ-SGT-4218-IE	Basic PDU 18xIEC 320 C13 socket power strip, double circuit (9+9), aluminium housing, 2pcs. 1x16A cct breaker, 250V AC, for 42U, 45U, 47U cabinet height, no cable, ready cable connection point	-	-	-	✓	✓	✓	✓	✓	✓	-	✓	✓	✓	✓	✓	✓

19" DYNAmax

Free Standing Server Cabinets

Frequent Used Accesorry Selection Chart



Power Distribution Unit			19" DYNAmax Free Standing Server Cabinets Comptible With															
Part Number	Series	Product Description	w:600 x d:1000 mm						w:600 x d:1200 mm			w:800 x d:1000 mm				w:800 x d:1200 mm		
			12U	26U	36U	42U	45U	47U	42U	45U	47U	36U	42U	45U	47U	42U	45U	47U
1	LN-PRZ-SGT-3618-SC	Basic PDU 18xDIN49440 socket schuko power strip, double circuit (9+9), aluminium housing, 2pcs. 1x16A cct breaker, 250V AC, for 36U cabinet height, no cable, repcsy cable connection point.	-	-	✓	✓	✓	✓	✓	✓	✓	✓	✓	✓	✓	✓	✓	
2	LN-PRZ-SGT-3618-IE	Basic PDU 18xIEC 320 C13 socket power strip, double circuit (9+9), aluminium housing, 2pcs. 1x16A cct breaker, 250V AC, for 36U cabinet height, no cable, ready cable connection point	-	-	✓	✓	✓	✓	✓	✓	✓	✓	✓	✓	✓	✓	✓	
3	LN-PRZ-SGT-2612-SC	Basic PDU 12xDIN49440 socket schuko power strip, double circuit (6+6), aluminium housing, 2pcs. 1x16A cct breaker, 250V AC, for 26U cabinet height, no cable, ready cable connection point	-	✓	✓	✓	✓	✓	✓	✓	✓	✓	✓	✓	✓	✓	✓	
4	LN-PRZ-SGT-2612-IE	Basic PDU 12xIEC 320 C13 socket power strip, double circuit (6+6), aluminium housing, 2pcs. 1x16A cct breaker, 250V AC, for 26U cabinet height, no cable, ready cable connection point	-	✓	✓	✓	✓	✓	✓	✓	✓	✓	✓	✓	✓	✓	✓	

19" DYNAmax

Free Standing Server Cabinets

Frequent Used Accesorry Selection Chart



Power Distribution Unit			19" DYNAmax Free Standing Server Cabinets Comptible With															
Part Number	Series	Product Description	w:600 x d:1000 mm				w:600 x d:1200 mm			w:800 x d:1000 mm				w:800 x d:1200 mm				
			12U	26U	36U	42U	45U	47U	42U	45U	47U	36U	42U	45U	47U	42U	45U	47U
1	LN-PRZ-IZP-DM42-IE	Monitoring PDU 42xIEC 320 (36xC13 + 6xC19) socket, MONITORED IP PDU with LCD Display, ZeroU, metal body, 2pcs 1P 16A hydraulic circuit breaker, 8000 Watt, 250V AC, 3x6.0mm ² , 3m cord with IEC60309 plug (32A 2P+E), CE mark, daisy-chain function up to 1 master 4 slave units, remote monitoring port, PDU based monitoring	-	-	-	✓	✓	✓	✓	✓	✓	-	✓	✓	✓	✓	✓	✓
2	LN-PRZ-IZP-DM24-IE	Monitoring PDU 24xIEC 320 (20xC13 + 4xC19) socket, MONITORED IP PDU with LCD Display, ZeroU, metal body, 2pcs 1P 16A hydraulic circuit breaker, 8000 Watt, 250V AC, 3x6.0mm ² , 3m cord with IEC60309 plug (32A 2P+E), CE mark, daisy-chain function up to 1 master 4 slave units, remote monitoring port, PDU based monitoring	-	-	-	✓	✓	✓	✓	✓	✓	-	✓	✓	✓	✓	✓	✓
3	LN-PRZ-YNP-DM24-IE	Managed Intelligent PDU 24xIEC 320 (20xC13 + 4xC19) socket, MANAGED IP PDU with LCD Display, ZeroU, metal body, 2pcs 1P 16A hydraulic circuit breaker, 8000 Watt, 250V AC, 3x6.0mm ² , 3m cord with IEC60309 plug (32A 2P+E), CE mark, daisy-chain function up to 1 master 4 slave units, Remote Monitoring port, outlet based monitoring and remote switch on/off function per socket or group of sockets	-	-	-	✓	✓	✓	✓	✓	✓	-	✓	✓	✓	✓	✓	✓
4	LN-PRZ-AMP-DM24-IE	Multimeter Display PDU 24xIEC 320 (20xC13 + 4xC19) socket PDU with multimeter display, ZeroU, aluminium profile frame, 2x16A MCB, 8000 Watt, 250V AC, 3x6.0mm ² , 3m cord with IEC 60309 plug (32A 2P+E), CE mark, locking on sockets standard on both C13 and C19. Along with multimeter display other metering functions are added, V, A, W, kW, PF, temperature probe and sensing, total operating time.	-	-	✓	✓	✓	✓	✓	✓	✓	✓	✓	✓	✓	✓	✓	✓

19" DYNAmax Free Standing Server Cabinets

Our Recommended Products

Environmental Monitoring and Management System



A full range of Environmental Management System modules are available, standalone or Networked to allow local or remote monitoring which allows Administrators to effectively manage your valuable assets, options for Camera's, Smoke sensors, Temperature and Humidity sensors, Moisture Sensors, and access sensors.

Advantages, Remote monitoring of multiple sites, High security and internal audit capability, Corrective and preventive actions, Instant and retrospective reporting and analysis.

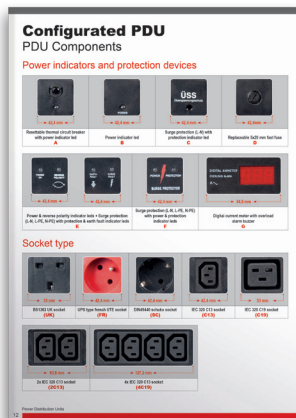
Access Control Systems



A full of Access Control and Locking systems available for to whole Lande range, from round key locked single point, swing lock three-point locking, combination locks, Keypad locking, RFID Card reader locking, Finger print readers and Retina (Eye) Reader Locking.

If integrated with Lande EMS systems, remote monitor locking can be achieved.

Power Distribution Unit



A complete range of Power Distribution Units are available from Basic economical units or full remote monitoring intelligent Units, IEC320 C13, BS 3pin UK type, DIN 49440 Schuko, 16A Breaker and Surge protection, 19" Horizontal and Vertical units either basic on/off switch to intelligent units with built in network point to allow multiple remote monitoring of various sites are available.



CONTACT DETAILS

Headquarters

Address:

Merve Mah. Gazi Cad. No: 17 **Phone:** +90 216 312 26 53
Sancaktepe - İstanbul / TURKEY **Fax** : +90 216 312 09 09

Factory

Address:

20. Cadde No: 14 Eskişehir **Phone:** +90 222 236 24 66 pbx
Organize San. Bölğ. 26110 **Fax** : +90 222 236 13 53
Eskişehir / TURKEY

www.lande.com.tr | sales@lande.com.tr

